



CANDY  
LED  
*Brighten your life!*



# P R E S E N T A T I O N



Derived from the world of Information Technologies, networks and Internet, the Group 3S, leading its field, gets into the Cleantech industries in the realm of electronics and electroluminescence under the CandyLed brand.

This first investment in the world of Cleantech is part of the LED lighting sector, where technological breakthroughs in progress have already increased the efficiency of conventional lighting tenfold to reach today more than 160 lumens per watt.

At the crossroads of the Mediterranean, Candy Led manufactures, at its plant ideally located in the south of Tunis, the heart of LED lighting technology: the COB module (Chip On Board).

Backed by an in-house engineering department, Candyland has the ability to design, prototyping and mass-manufacturing any LED lighting fixture, whether under its own brand or in white label for manufacturers, integrators or distributors.

Our entry into the closed class of COB-LED modules manufacturers, aims firstly to participate in the international evolution of this new industry, then to further improve the performance of this technology and to move up the value chain of this sector, both in electronics and in semiconductor chemistry. In view of our pedigree IT, our contribution should impact the embedded intelligence promised by the Internet of Things (IoT).

Since technology is of no value and importance unless it offers the most widespread benefit possible, our ultimate objective is to democratize the use of LED lighting in the Mediterranean basin, the Middle East and Africa in order to make it accessible to everyone. As first factory in this field in Africa, the Middle East and the Arab world, we naturally aspire to be among the leading suppliers of LED lighting in this geographical area.





# WHY CANDYLED?



The **LED (Lighting Emmiting Diode)** is an electronic component of the family of Optoelectronic components capable of emitting light when an electric current flows through it.

Appeared in 1962, the LED is **one of the most powerful, economic and durable light sources.**



Many now consider it as the most revolutionary invention in over hundred years. In fact, the applications integrating LEDs are almost infinite...

## THE NUMEROUS BENEFITS OF CANDYLED LIGHTING SYSTEM

Our LED lighting solutions have significant strengths for saving energy, reducing costs of ownership and maintenance:

Compliance with standards	Warranty	Lifespan
Compliance with the highest quality and safety standards, including European standards	Up to 5 years warranty for street lights & professional lighting	Street Lights and professional lighting lifetime is 100 000H+
Colours rendering	Security	Energetic efficiency
Good colour rendering	Contains neither Mercury nor Lead. No Ultraviolet (UV) or Infrared emission	Up to 90% energy saving
Instant ignition	Luminous efficiency	Color temperature
100% instant lighting	Up to 160 Lumens per Watt	Wide range of color temperatures from warm white to cool white



# CATALOGUE 2024



**CANDY  
LED**  
*Brighten your life!*

08  
SPOTS

18  
BULBS

28  
LED TUBES

36  
CEILING LAMPS

50  
FLAT PANEL

54  
TRACK LIGHTS

60  
INDUSTRIAL  
LIGHTING

66  
FLOOD LIGHTS

74  
STREET LIGHTS

84  
SMART LIGHTING

# SPOTS

The CandyLED range of ceiling lights is designed for general lighting use as a replacement for standard light fixtures and lamps.

This range offers **immediate energy savings, long life and excellent value for money.**

The installation is simple thanks to the spring clips and fits perfectly to the standard cut-outs.

## | APPLICATIONS

- General lighting
- reception area, Rooms, halls & corridors, toilets
- Hotels, restaurants, bars, cafes, museums, shops
- Exhibition space, shop windows & shops
- Bathroom & Sauna (requiring a waterproof set)
- Traffic lane markup, doors, stairs.
- Outdoor use (only in suitable luminaires)

## | BENEFITS

- Quick ROI
- Significant energy savings (up to 80% compared to conventional spots)
- Lifespan: 30 000 H+
- Easy installation: Standard base GU5.3, GU10 & E27
- Alternatives to conventional lighting
- Wide choice of color temperature (3 000K, 4 000K & 6 500K)





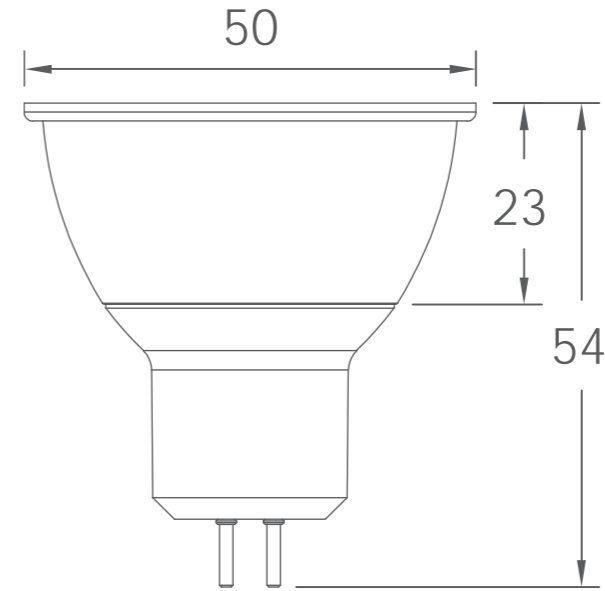
# SPOTS



3W 12V 30°    4W 12V 60°    8W 12V 60°    4W 230V AC 40°    6W 230V AC 60°    5W 230V AC 60°    6W 230V AC 60°

W	⚡	🔌	📐	📐	⌚	⌀ [mm]	K	Lm	References	
3W 12V DC 30°	3	12V DC	GU5.3	30°	A+	30 000 h+	⌀ 50-54	3 000	270	S003A1J2
								4 000	285	S003A1N2
								6 500	300	S003A1B2
4W 12V 60°	4	12V DC/AC	GU5.3	60°	A+	30 000 h+	⌀ 50-58	3 000	360	S004A1J2
								6 500	400	S004A1B2
8W 12V 60°	8	12V DC/AC	GU5.3	60°	A+	30 000 h+	⌀ 50-67	3 000	720	S008A1J2
								6 500	800	S008A1B2
4W 230V AC 40° GU10	4	220-240V AC	GU10	40°	A+	30 000 h+	⌀ 50-57	3 000	352	S004D3J1
								4 000	356	S004D3N1
								6 500	360	S004D3B1
6W 230V AC 60° GU10	6	220-240V AC	GU10	60°	A+	30 000 h+	⌀ 50-57	3 000	588	S006D3J2
								4 000	594	S006D3N2
								6 500	600	S006D3B2
5W 230V AC 60° E27	5	220-240V AC	E27	60°	A+	30 000 h+	⌀ 50-58	3 000	480	S005D5J1
								4 000	490	S005D5N1
								6 500	500	S005D5B1
6W 230V AC 60° E27	6	220-240V AC	E27	60°	A+	30 000 h+	⌀ 50-69	3 000	528	S006D5J1
								4 000	534	S006D5N1
								6 500	540	S006D5B1

## SPOT 3W - 12V DC/AC



### CHARACTERISTICS:

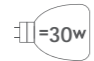
W	⚡	🔌	💡	📐
Power	Voltage	Cap-Base	Luminous Flux	Beam Angle
3 W	12V DC/AC	GU5.3	300 Lumens	30°
📈 A+	⌚	⌀ [mm]		
Energetic Class	Lifespan	Dimensions		
A+	30 000 h+	⌀ 50 mm x 54 mm		

### TO ORDER:

References	Bar code	Colours temperatures
S003A1J2	6193102800372	Warm white 3 000k
S003A1N2	6193102800709	Neutral white 4 000k
S003A1B2	6193102800365	Cold white 6 500k




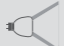




Unit by box	Box by pallets	Units by pallets
100	48	4 800

Series  
**LED SMD**

SPOT 4W - 12V DC/AC 



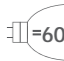
CHARACTERISTICS:

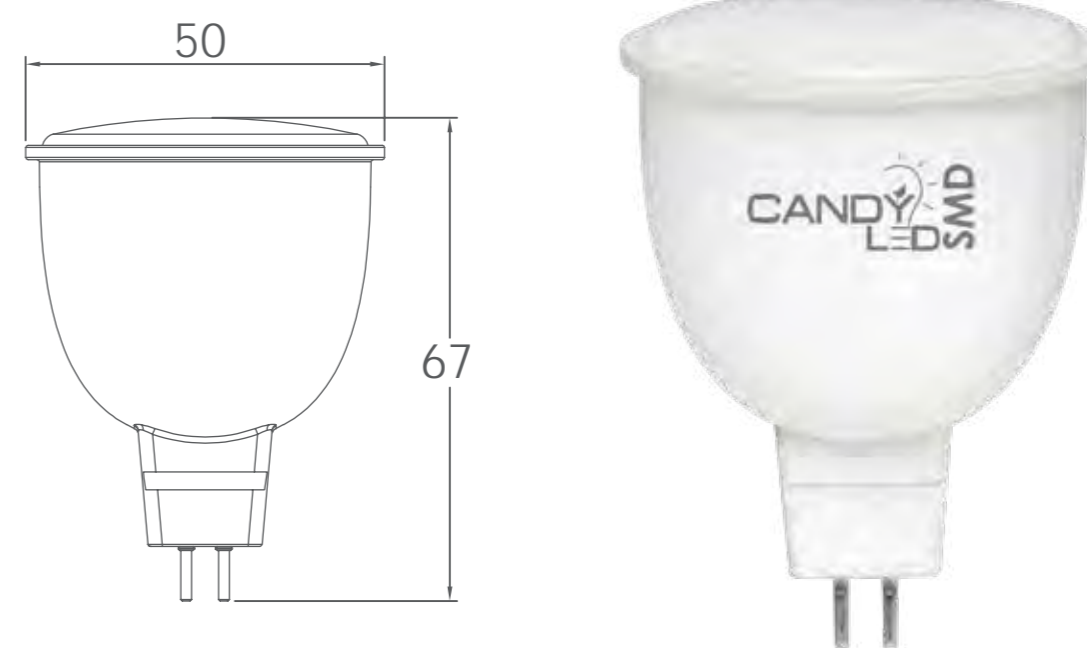
				
Power	Voltage	Cap-Base	Luminous Flux	Beam Angle
4 W	12V DC/AC	GU5.3	400 Lumens	60°
				
Energetic Class	Lifespan	Dimensions		
A+	30 000 h+	∅ 50 mm x 58 mm		

TO ORDER:









References	Bar code	Colours temperatures
S004A1J2	6193102800259	Warm white 3 000k
S004A1B2	6193102800242	Cold white 6 500k
Unit by box	Box by pallets	Units by pallets
100	48	4 800

Series  
LED SMD

SPOT 8W - 12V DC/AC 



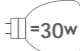
CHARACTERISTICS:

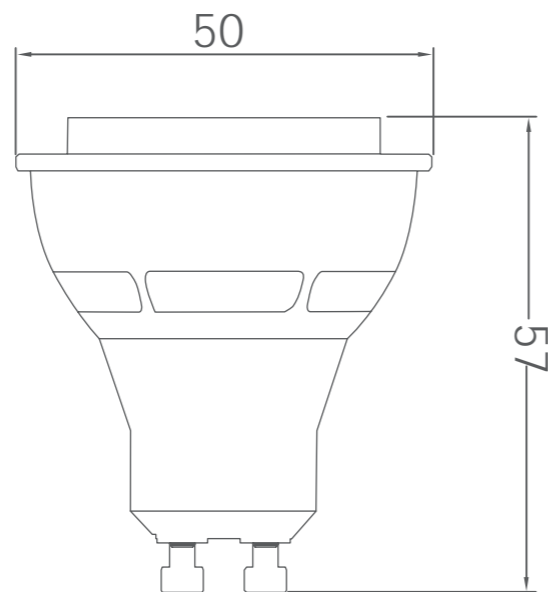
				
Power	Voltage	Cap-Base	Luminous Flux	Beam Angle
8 W	12V DC/AC	GU5.3	800 Lumens	60°
				
Energetic Class	Lifespan	Dimensions		
A+	30 000 h+	∅ 50 mm x 67 mm		

TO ORDER:









References	Bar code	Colours temperatures
S008A1J2	6193102800273	Warm white 3 000k
S008A1B2	6193102800266	Cold white 6 500k
Unit by box	Box by pallets	Units by pallets
100	48	4 800

Series  
LED SMD




SPOT 4W - 230V AC 



CHARACTERISTICS:

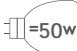
				
Power	Voltage	Cap-Base	Luminous Flux	Beam Angle
4 W	220 - 240V	GU10	360 Lumens	40°
				
Energetic Class	Lifespan	Dimensions		
A+	30 000 h+	Ø 50 mm x 57mm		

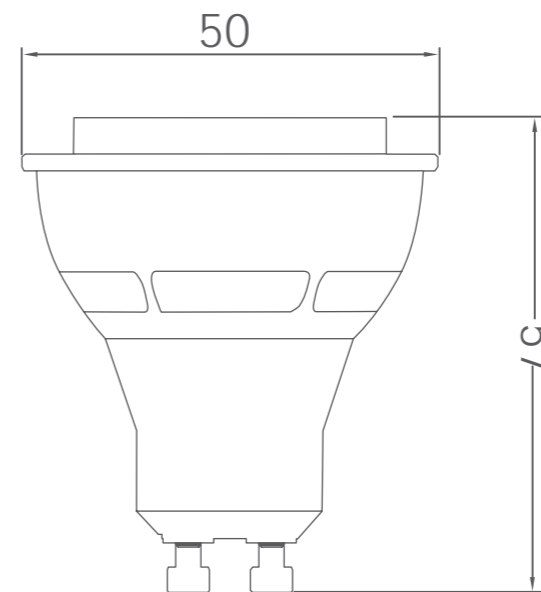
TO ORDER:

References	Bar code	Colours temperatures
S004D3J1	6193102800815	Warm white 3 000k 
S004D3N1	6193102800822	Neutral white 4 000k 
S004D3B1	6193102800808	Cold white 6 500k 




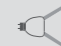




Unit by box	Box by pallets	Units by pallets
100	48	4 800

Series LED COB




SPOT 6W - 230V AC 



CHARACTERISTICS:

				
Power	Voltage	Cap-Base	Luminous Flux	Beam Angle
6 W	220 - 240V	GU10	600 Lumens	60°
				
Energetic Class	Lifespan	Dimensions		
A+	30 000 h+	Ø 50 mm x 57 mm		

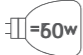
TO ORDER:

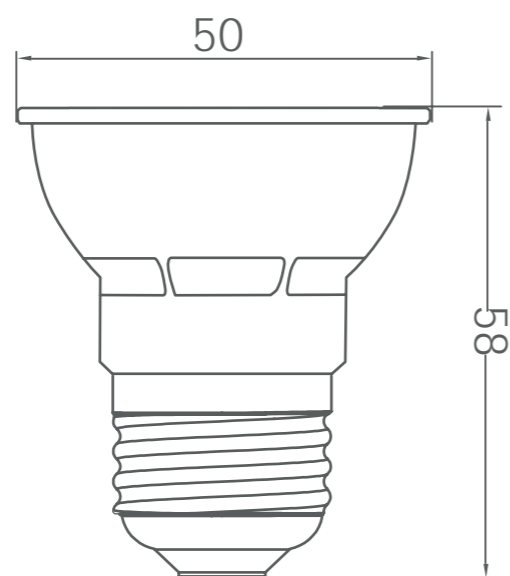
References	Bar code	Colours temperatures
S006D3J2	6193102802093	Warm white 3 000k 
S006D3N2	6193102802116	Neutral white 4 000k 
S006D3B2	6193102802109	Cold white 6 500k 

Unit by box	Box by pallets	Units by pallets
100	48	4 800




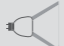




Series LED SMD






SPOT 5W - 230V AC 



CHARACTERISTICS:

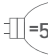
				
Power	Voltage	Cap-Base	Luminous Flux	Beam Angle
5 W	220 - 240V	E27	500 Lumens	60°
				
Energetic Class	Lifespan	Dimensions		
A+	30 000 h+	∅ 50 mm x 58 mm		

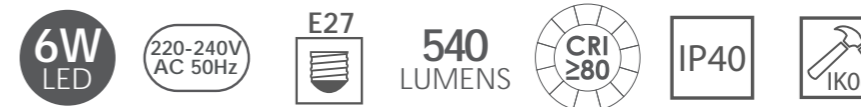
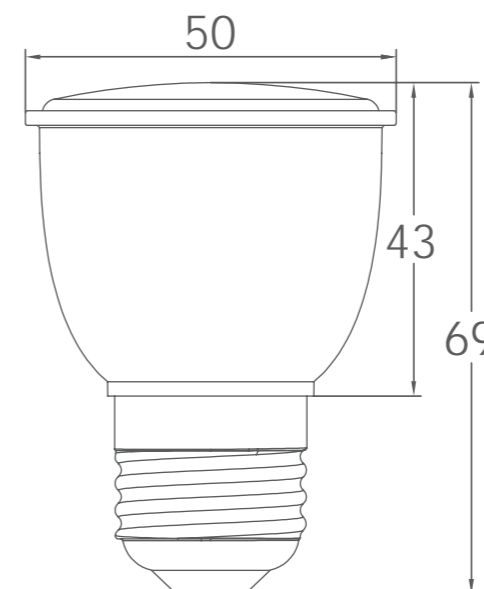
TO ORDER:

References	Bar code	Colours temperatures
S005D5J1	6193102803113	Warm white 3 000k 
S005D5N1	6193102803120	Neutral white 4 000k 
S005D5B1	6193102803137	Cold white 6 500k 









Unit by box	Box by pallets	Units by pallets
100	48	4 800

Series LED SMD




SPOT 6W - 230V AC 



CHARACTERISTICS:

				
Power	Voltage	Cap-Base	Luminous Flux	Beam Angle
6 W	220 - 240V	E27	540 Lumens	60°
				
Energetic Class	Lifespan	Dimensions		
A+	30 000 h+	∅ 50 mm x 69 mm		

TO ORDER:

References	Bar code	Colours temperatures
S006D5J1	6193102800297	Warm white 3 000k 
S006D5N1	6193102800488	Neutral white 4 000k 
S006D5B1	6193102800280	Cold white 6 500k 

Unit by box	Box by pallets	Units by pallets
100	48	4 800

Series LED COB

# BULBS

Thanks to their **wide radiation angle**, these bulbs are ideal for **general lighting** by creating a friendly atmosphere in your area or room.

This range offers **immediate energy savings, long life and excellent value for money.**

## | APPLICATIONS

- General lighting
- Reception area, Rooms, halls & corridors, toilets
- Hotels, restaurants, bars, cafes, museums, shops
- Exhibition space & shops
- Outdoor use (only in suitable luminaires)

## | BENEFITS

- Quick ROI
- Significant energy savings (up to 80% compared to conventional lamps)
- Lifespan: 30 000 H+
- Easy installation: Standard base E14, E27 & B22
- Alternatives to conventional lighting
- Wide choice of color temperature (3 000K, 4 000K & 6 500K)
- Instant ignition





# BULBS

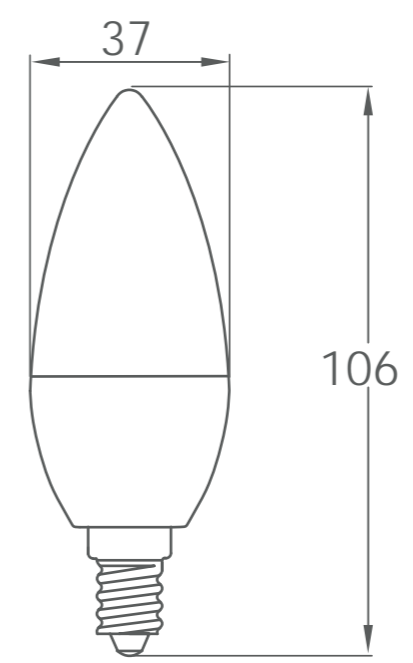


4W 230V SMD    5W 230V SMD    6W 230V SMD    9W 230V SMD    12W 230V SMD    15W 230V SMD    30W 230V SMD    40W 230V SMD

	W							K	Lm	References
4W 230V 150°	4	180-260V AC 50Hz	E14	150°	A <sup>++</sup>	30 000H+	∅37-106	3 000 4 000 6 500	400	B004D4J4 B004D4N4 B004D4B4
5W 230V 230°	5	180-260V AC 50Hz	E27	230°	A <sup>+</sup>	30 000H+	∅45-82	3 000 4 000 6 500	500	L005D5J1 L005D5N1 L005D5B1
6W 230V 230°	6	180-260V AC 50Hz	E27	230°	A <sup>+</sup>	30 000H+	∅55-100	3 000 4 000 6 500	800	L006D5J3 L006D5N3 L006D5B3
9W 230V 230°	9	180-260V AC 50Hz	E27 & B22	230°	A <sup>+</sup>	30 000H+	∅60-118	3 000 4 000 6 500	1100	L009D5J3 L009D5N3 L009D5B3
12W 230V 230°	12	180-260V AC 50Hz	E27	230°	A <sup>+</sup>	30 000H+	∅65-130	3 000 4 000 6 500	1300	L012D5J2 L012D5N2 L012D5B2
15W 230V 230°	15	180-260V AC 50Hz	E27 & B22	230°	A <sup>+</sup>	30 000H+	∅70-134	3 000 4 000 6 500	1800	L015D5J3 L015D5N3 L015D5B3
30W 230V PF>0.9	30	180-260V AC 50Hz	E27	165°	A <sup>+</sup>	30 000 h+	∅100-180	4000 6500	3000	L030D5N1 L030D5B1
40W 230V PF>0.9	40	180-260V AC 50Hz	E27	165°	A <sup>+</sup>	30 000 h+	∅125-216	4000 6500	4200	L040D5N1 L040D5B1



## CANDLE 4 W - 230V AC



### CHARACTERISTICS:

Power	Voltage	Cap-Base	Luminous Flux	Beam Angle
4 W	180-260V AC	E14	400 Lumens	150°

Energetic Class	Lifespan	Dimensions
A <sup>++</sup>	30 000 h+	∅ 37 mm x 106 mm

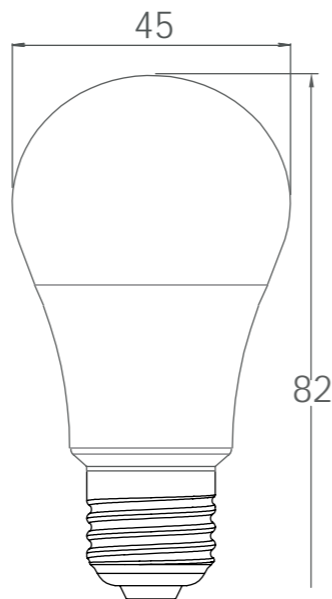
### TO ORDER:

References	Bar code	Colours temperatures
B004D4J4	6193102803342	Warm white 3 000k
B004D4N4	6193102803359	Neutral white 4 000k
B004D4B4	6193102803366	Cold white 6 500k

Unit by box	Box by pallets	Units by pallets
100	72	7 200

Series LED SMD

BULB 5W - 230V AC



CHARACTERISTICS:

Power	Voltage	Cap-Base	Luminous Flux	Beam Angle
5 W	180-260V AC	E27	500 Lumens	230°
Energetic Class	Lifespan	Dimensions		
A+	30 000 h+	∅ 45 mm x 82 mm		

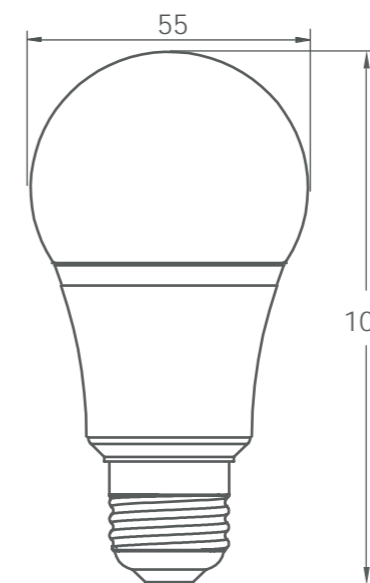
TO ORDER:

References	Bar code	Colours temperatures
L005D5J1	6193102803373	Warm white 3 000k
L005D5N1	6193102803380	Neutral white 4 000k
L005D5B1	6193102803397	Cold white 6 500k

Unit by box	Box by pallets	Units by pallets
50	36	1 800

Series LED SMD

BULB 6W - 230V AC



CHARACTERISTICS:

Power	Voltage	Cap-Base	Luminous Flux	Beam Angle
6 W	180-260V AC	E27	800 Lumens	230°
Energetic Class	Lifespan	Dimensions		
A+	30 000 h+	∅ 55 mm x 100 mm		

TO ORDER:

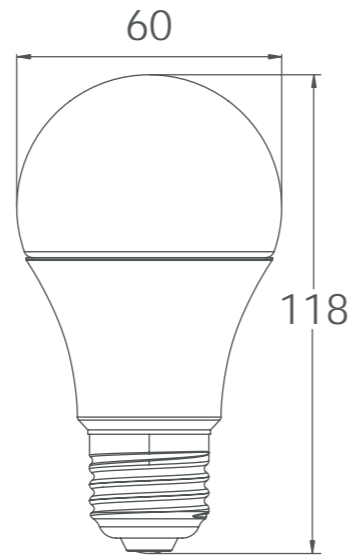
References	Bar code	Colours temperatures
L006D5J3	6193102803205	Warm white 3 000k
L006D5N3	6193102803212	Neutral white 4 000k
L006D5B3	6193102803229	Cold white 6 500k

Unit by box	Box by pallets	Units by pallets
50	36	1 800

Series LED SMD



BULB 9W - 230V AC



CHARACTERISTICS:

Power	Voltage	Cap-Base	Luminous Flux	Beam Angle
9 W	180-260V AC	E27 & B22	1 100 Lumens	230°
Energetic Class	Lifespan	Dimensions		
A+	30 000 h+	∅ 60 mm x 118 mm		

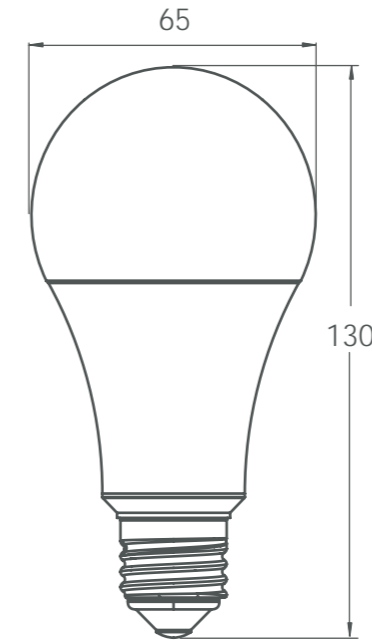
TO ORDER:

References	Bar code	Colours temperatures
L009D5J3	6193102801454	Warm white 3 000k
L009D5N3	6193102800839	Neutral white 4 000k
L009D5B3	6193102801447	Cold white 6 500k

Unit by box	Box by pallets	Units by pallets
50	36	1 800

Series LED SMD

BULB 12W - 230V AC



CHARACTERISTICS:

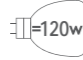
Power	Voltage	Cap-Base	Luminous Flux	Beam Angle
12 W	180-260V AC	E27	1 300 Lumens	230°
Energetic Class	Lifespan	Dimensions		
A+	30 000 h+	∅ 65 mm x 130 mm		

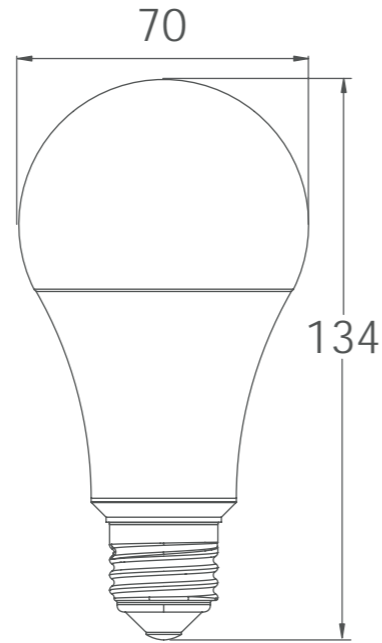
TO ORDER:

References	Bar code	Colours temperatures
L012D5J2	6193102803083	Warm white 3 000k
L012D5N2	6193102803090	Neutral white 4 000k
L012D5B2	6193102803106	Cold white 6 500k

Unit by box	Box by pallets	Units by pallets
50	36	1 800

Series LED SMD

BULB 15W - 230V AC 























CHARACTERISTICS:


				
Power	Voltage	Cap-Base	Luminous Flux	Beam Angle
15 W	180-260V AC	E27 & B22	1 800 Lumens	230°
				
Energetic Class	Lifespan	Dimensions		
A+	30 000 h+	∅ 70 mm x 134 mm		

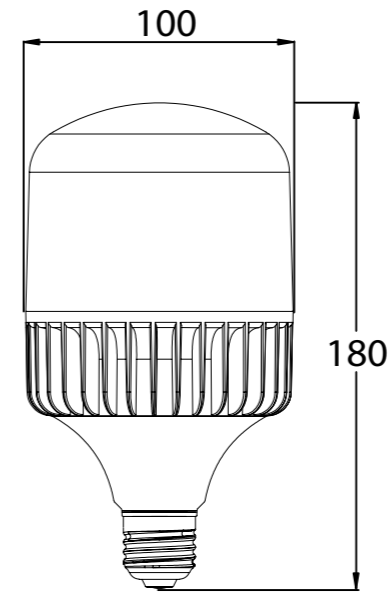
TO ORDER:

References	Bar code	Colours temperatures
L015D5J3	6193102801430	Warm white 3 000k 
L015D5N3	6193102800846	Neutral white 4 000k 
L015D5B3	6193102801423	Cold white 6 500k 

Unit by box	Box by pallets	Units by pallets
50	36	1 800

Series LED SMD

BULB 30W - 230V AC 






















CHARACTERISTICS:

				
Power	Voltage	Cap-Base	Luminous Flux	Beam Angle
30 W	180-260V AC	E27	3 000 Lumens	165°
				
Energetic Class	Lifespan	Dimensions		
A+	30 000 h+	∅ 100 mm x 180 mm		

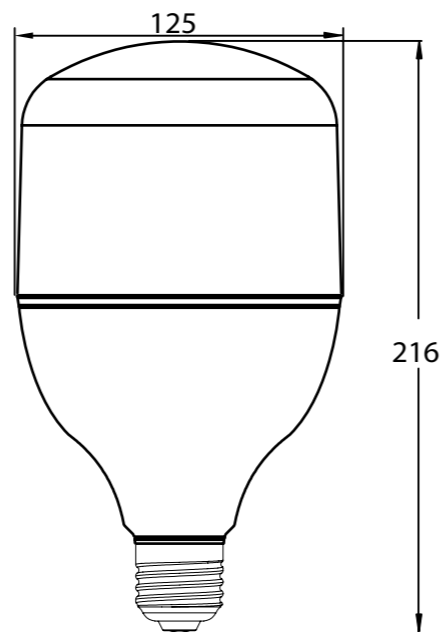
TO ORDER:

References	Bar code	Colours temperatures
L030D5N1	6193102801874	Neutral white 4 000k 
L030D5B1	6193102801881	Cold white 6 500k 

Unit by box	Box by pallets	Units by pallets
20	50	1 500

Series LED SMD





CHARACTERISTICS:

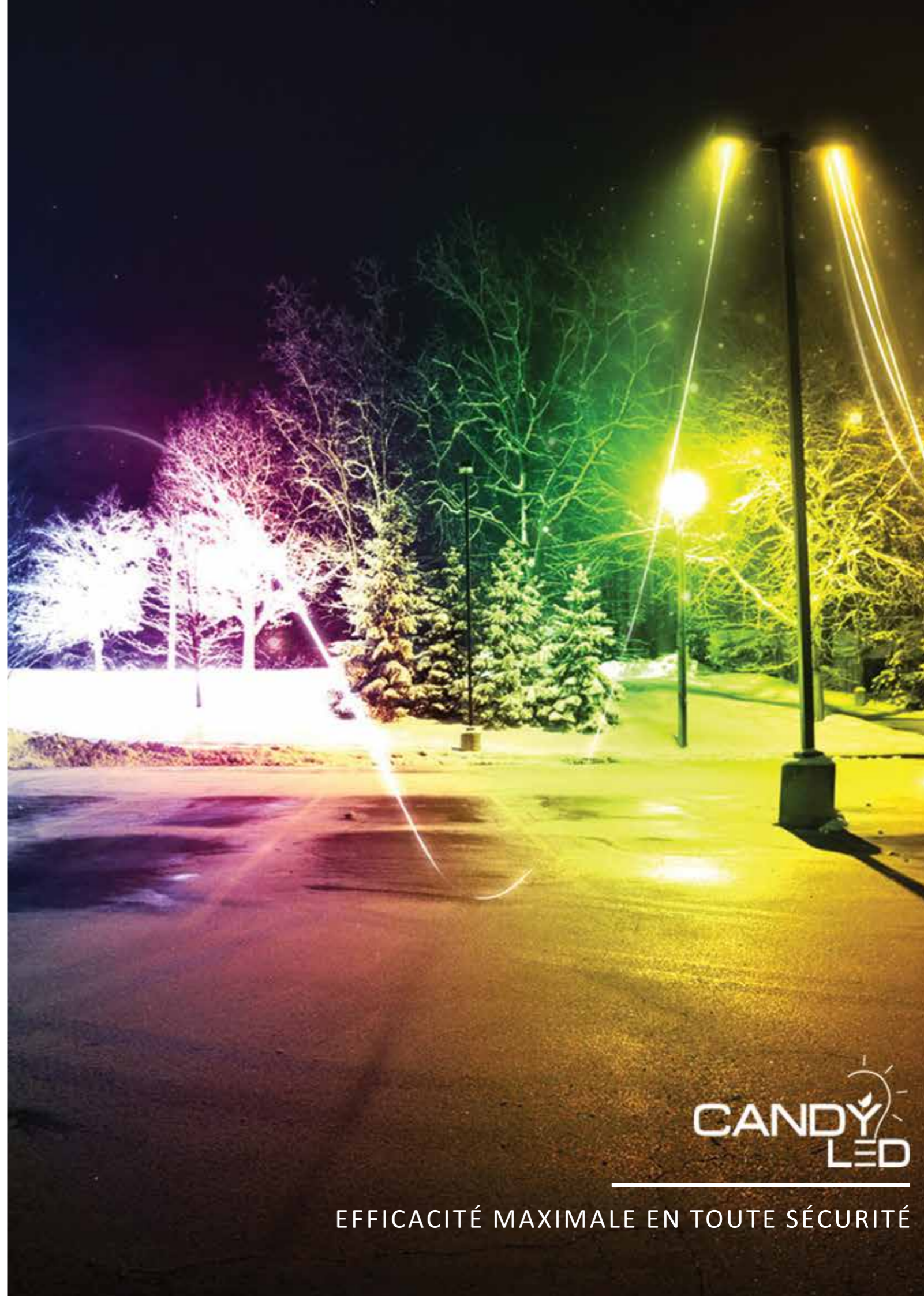
Power	Voltage	Cap-Base	Luminous Flux	Beam Angle
40 W	180-260V AC	E27	4 200 Lumens	165°
Energetic Class	Lifespan	Dimensions		
A+	30 000 h+	Ø 125 mm x 216 mm		

TO ORDER:

References	Bar code	Colours temperatures
L040D5N1	6193102803403	Neutral white 4 000k
L040D5B1	6193102803410	Cold white 6 500k

Unit by box	Box by pallets	Units by pallets
20	50	1 500

Series LED SMD





# LED TUBES

LED tubes incorporate a **light source in the same format as conventional fluorescent lamps** providing **uniform brightness**.

LED Tubes are the ideal solution for consumers looking for the **best performance:** product **lifespan, energy savings** and **low ownership cost**.

## | APPLICATIONS

- General lighting
- Offices and administrations
- Schools
- Retail trade
- Industries
- Medical applications
- Warehouse

## | BENEFITS

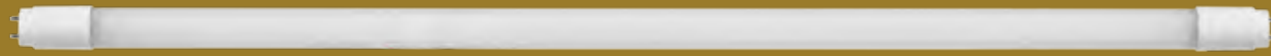
- Up to 50% Energy savings compared with fluorescent tubes
- Lifespan: Up to 30 000H+
- Adapts perfectly to existing installations



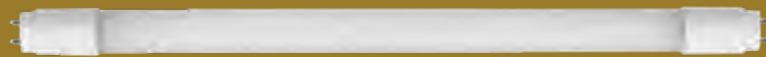
# LED TUBES



22 W 230V AC 120°



18 W 230V AC 120°

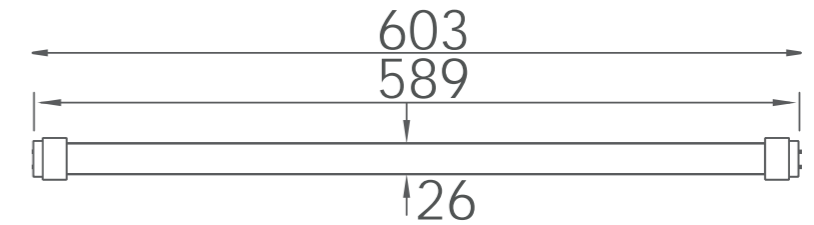


9W 230V AC 120°

	W							K		References
9W 230V AC T8 PF>0.9	9	90-265V AC	G13	120°	A+	30 000 h+	∅ 26-603	4 000	1050	G009D8N1-T8
								6 500	1100	G009D8B1-T8
18W 230V AC T8 PF>0.9	18	90-265V AC	G13	120°	A+	30 000 h+	∅ 26 - 1212	4 000	2350	G018D8N1-T8
								6 500	2400	G018D8B1-T8
9W 230V AC T8 PF>0.5	9	90-265V AC	G13	120°	A+	30 000 h+	∅ 26-603	3 000	870	G009D8J2-T8
								4 000	891	G009D8N2-T8
								6 500	900	G009D8B2-T8
18W 230V AC T8 PF>0.5	18	90-265V AC	G13	120°	A+	30 000 h+	∅ 26 - 1212	3 000	1750	G018D8J2-T8
								4 000	1780	G018D8N2-T8
								6 500	1800	G018D8B2-T8
22W 230V AC T8 PF>0.9	22	90-265V AC	G13	120°	A+	30 000 h+	∅ 26 - 1512	4 000	2500	G022D8N1-T8
								6 500	2520	G022D8B1-T8
22W 230V AC T5 PF>0.9	22	90-265V AC	G5	120°	A+	30 000 h+	∅ 16 - 1462	4 000	2500	G022D7N1-T5
								6 500	2520	G022D7B1-T5



## LED TUBE 9W - 230V AC - T8



### CHARACTERISTICS:

Power	Voltage	Cap-Base	Luminous Flux	Beam Angle
9 W	90 - 265V	G13	1 100 Lumens	120°

Energetic Class	Lifespan	Dimensions
A+	30 000 h+	∅ 26 mm x 603 mm

### TO ORDER:

References	Bar code	Colours temperatures
G009D8N1-T8	6193102800761	Neutral white 4 000k
G009D8B1-T8	6193102800778	Cold white 6 500k

Recommendation of use: These tubes are recommended for industrial or service uses.

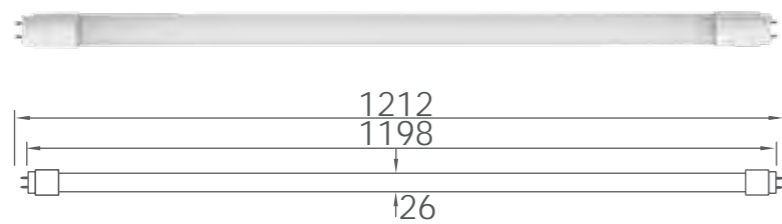
Series LED SMD





# LED TUBE 18W - 230V AC - T8

Led Tubes



### CHARACTERISTICS:

Power	Voltage	Cap-Base	Luminous Flux	Beam Angle
18 W	90 - 265V	G13	2 400 Lumens	120°
Energetic Class	Lifespan	Dimensions		
A+	30 000 h+	∅ 26 mm x 1212 mm		

### TO ORDER:

References	Bar code	Colours temperatures
G018D8N1-T8	6193102800785	Neutral white 4 000k
G018D8B1-T8	6193102800792	Cold white 6 500k

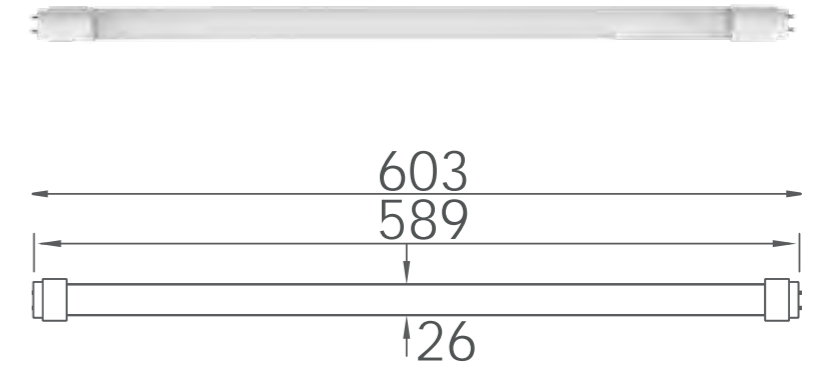
Recommendation of use: These tubes are recommended for industrial or service uses.

Series LED SMD



# LED TUBE 9W - 230V AC - T8

Tubes Led



### CHARACTERISTICS:

Power	Voltage	Cap-Base	Luminous Flux	Beam Angle
9 W	90 - 265V	G13	900 Lumens	120°
Energetic Class	Lifespan	Dimensions		
A+	30 000 h+	∅ 26 mm x 603 mm		

### TO ORDER:

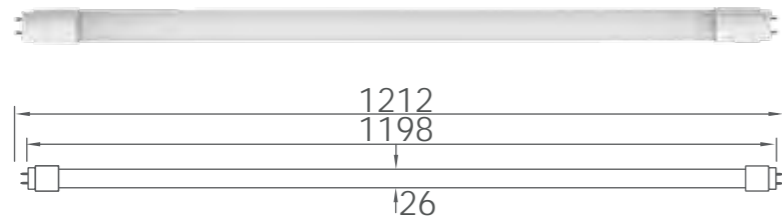
References	Bar code	Colours temperatures
G009D8J2-T8	6193102801836	Warm white 3 000k
G009D8N2-T8	6193102801195	Neutral white 4 000k
G009D8B2-T8	6193102801201	Cold white 6 500k

Recommendation of use: These tubes are recommended for domestic use only

Series LED SMD



# TUBE LED 18W - 230V AC - T8



## CARACTÉRISTIQUES :

Power	Voltage	Cap-Base	Luminous Flux	Beam Angle
18 W	90 - 265V	G13	1 800 Lumens	120°
Energetic Class	Lifespan	Dimensions		
A+	30 000 h+	∅ 26 mm x 1212 mm		

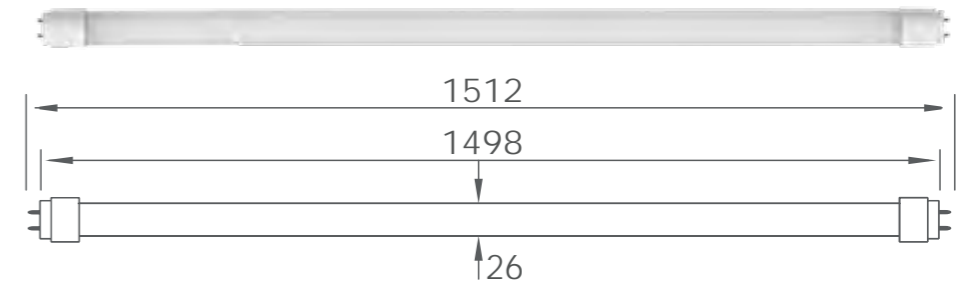
## RÉFÉRENCES POUR COMMANDER :

References	Bar code	Colours temperatures
G018D8J2-T8	6193102801829	Warm white 3 000k
G018D8N2-T8	6193102801218	Neutral white 4 000k
G018D8B2-T8	6193102801225	Cold white 6 500k

Recommendation of use: These tubes are recommended for industrial or service uses.



# TUBE LED 22W - 230V AC T8



## CARACTÉRISTIQUES :

Power	Voltage	Cap-Base	Luminous Flux	Beam Angle
22 W	90 - 265V	G13	2 520 Lumens	120°
Energetic Class	Lifespan	Dimensions		
A+	30 000 h+	∅ 26 mm x 1512 mm		

## RÉFÉRENCES POUR COMMANDER :

References	Bar code	Colours temperatures
G022D8N1-T8	6193102803564	Neutral white 4 000k
G022D8B1-T8	6193102803588	Cold white 6 500k

Recommendation of use: These tubes are recommended for industrial or service uses.

Series  
LED SMD

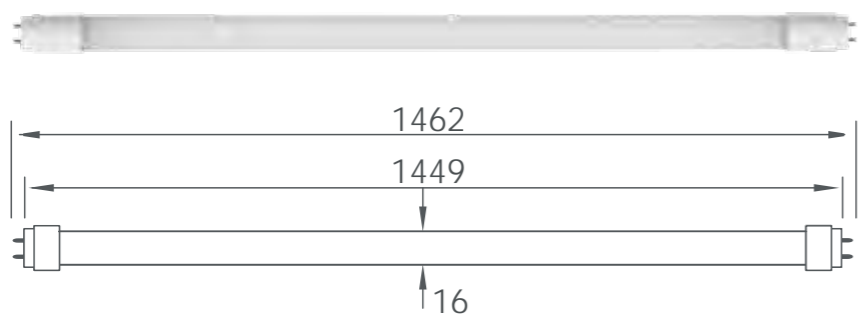
Series  
LED SMD

Tubes Led

Tubes Led



# TUBE LED 22W - 230V AC T5



22W LED
90-265V AC 50Hz
G5
2520 LUMENS
CRI ≥80
IP20
PF >0,9

### CHARACTERISTICS:

Power	Voltage	Cap-Base	Luminous Flux	Beam Angle
22 W	90 - 265V	G5	2 520 Lumens	120°
Energetic Class	Lifespan	Dimensions		
A+	30 000 h+	∅ 16 mm x 1462 mm		

### TO ORDER:

References	Bar code	Colours temperatures
G022D7N1-T5	6193102803571	Neutral white 4 000k
G022D7B1-T5	6193102803595	Cold white 6 500k

Recommendation of use: These tubes are recommended for industrial or service uses.

Series LED SMD

**CANDY LED**  
Brighten your life!





# CEILING LIGHTS



The CandyLED range of ceiling lights is designed for **general lighting** use as a replacement for standard light fixtures and lamps.

This range offers **immediate energy savings, long life and excellent value for money.**

The installation is simple thanks to the spring clips and fits perfectly to the standard cut-outs.

## | APPLICATIONS

- General lighting
- Offices and administrations
- Schools
- Retail trade
- Industries
- Medical applications
- Warehouse

## | BENEFITS

- Up to 50% Energy savings compared with fluorescent tubes
- Lifespan: 30 000H+
- Adapts perfectly to existing installations



# CEILING LIGHTS



## CEILING LAMP 6W 230V AC



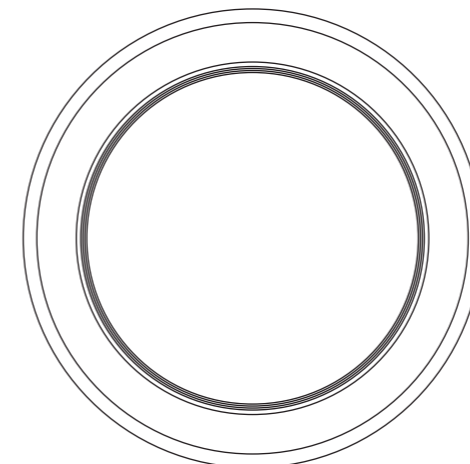
6W 230V

12W 230V

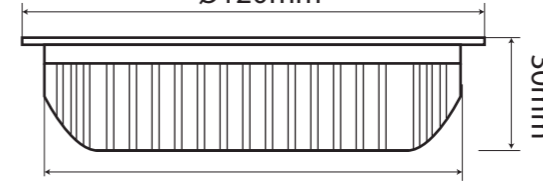
16W 230V

22W 230V

	W						K		References
6W 230V AC 120° PF>0.7	6	100 - 265V AC 50Hz	120°	A+	30 000 h+	∅ 120-∅ 87-30	3 000	600	P006D0J3
							4 000		P006D0N3
							6 500		P006D0B3
12W 230V AC 120° PF>0.7	12	100 - 265V AC 50Hz	120°	A+	30 000 h+	∅ 185-∅ 137-30	3 000	1 260	P012D0J3
							4 000		P012D0N3
							6 500		P012D0B3
16W 230V AC 120° PF>0.7	16	100 - 265V AC 50Hz	120°	A+	30 000 h+	∅ 185-∅ 137-30	3 000	1 680	P016D0J3
							4 000		P016D0N3
							6 500		P016D0B3
22W 230V AC 120° PF>0.7	22	100 - 265V AC 50Hz	120°	A+	30 000 h+	∅ 230-∅ 185-30	3 000	2 500	P022D0J1
							4 000		P022D0N1
							6 500		P022D0B1



∅120mm



∅87mm

30mm



### CHARACTERISTICS:

Power	Voltage	Luminous Flux	Beam Angle
6 W	100 - 265V AC 50Hz	600 Lumens	120°
Energetic Class	Lifespan	Dimensions	
A+	30 000 h+	∅ 120 mm x ∅ 87 mm x 30 mm	

### TO ORDER:

References	Bar code	Colours temperatures
P06D0J3	6193102803533	Warm white 3 000k
P06D0N3	6193102803540	Neutral white 4 000k
P06D0B3	6193102803557	Cold white 6 500k

Series  
LED SMD

## CEILING LAMP 12W 230V AC



### CHARACTERISTICS:

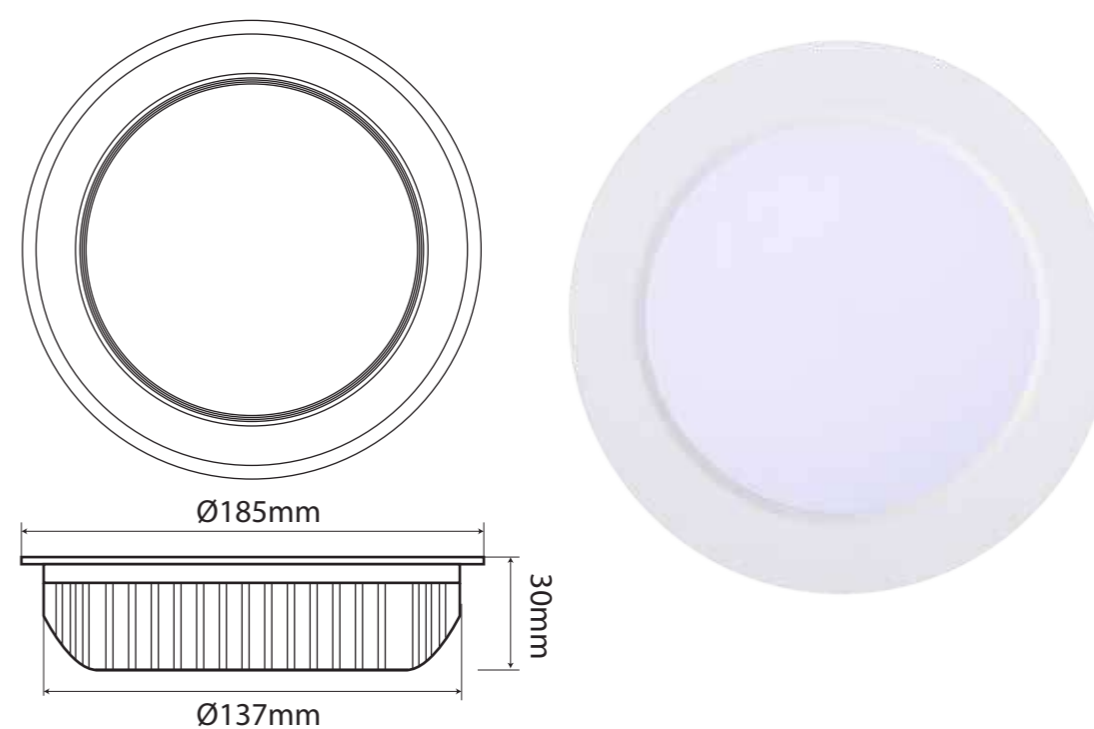
Power	Voltage	Luminous Flux	Beam Angle
12 W	100 - 265V AC 50Hz	1260 Lumens	120°
Energetic Class	Lifespan	Dimensions	
A <sup>+</sup>	30 000 h+	Ø 185 mm x Ø 137 mm x 30 mm	

### TO ORDER:

References	Bar code	Colours temperatures
P012D0J3	6193102803502	Warm white 3 000k
P012D0N3	6193102803519	Neutral white 4 000k
P012D0B3	6193102803526	Cold white 6 500k

Series  
**LED SMD**

## CEILING LAMP 16W 230V AC



### CHARACTERISTICS:

Power	Voltage	Luminous Flux	Beam Angle
16 W	100 - 265V AC 50Hz	1 680 Lumens	120°
Energetic Class	Lifespan	Dimensions	
A <sup>+</sup>	30 000 h+	Ø 185 mm x Ø 137 mm x 30 mm	

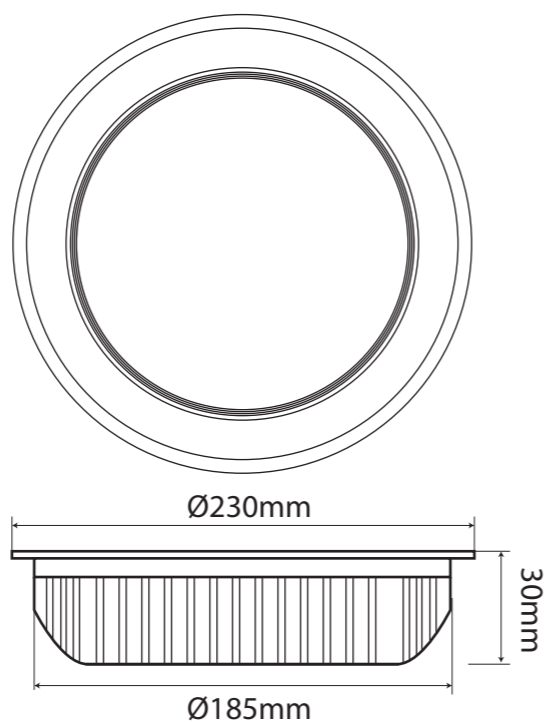
### TO ORDER:

References	Bar code	Colours temperatures
P016D0J3	6193102803472	Warm white 3 000k
P016D0N3	6193102803489	Neutral white 4 000k
P016D0B3	6193102803496	Cold white 6 500k

Series  
**LED SMD**



# CEILING LAMP 22W 230V AC



22W LED
100-265V AC 50Hz
2500 LUMENS
CRI ≥80
IP20
PF >0,7

## CHARACTERISTICS:

Power	Voltage	Luminous Flux	Beam Angle
22 W	100 - 265V AC 50Hz	2500 Lumens	120°
Energetic Class	Lifespan	Dimensions	
A+	30 000 h+	Ø 230 mm x Ø 185 mm x 30 mm	

## TO ORDER:

References	Bar code	Colours temperatures
PO22DOJ1	6193102803441	Warm white 3 000k
PO22DON1	6193102803458	Neutral white 4 000k
PO22DOB1	6193102803465	Cold white 6 500k

Series  
**LED SMD**



# CEILING LIGHTS



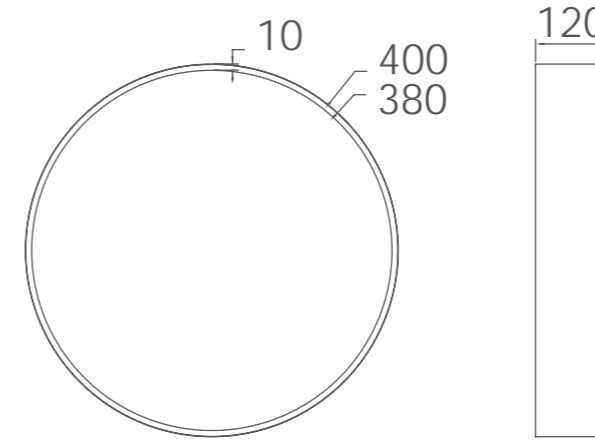
40W 230V

56W 230V

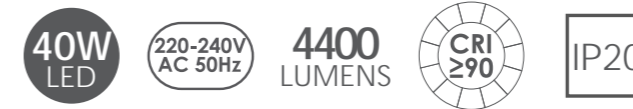
	W						K	Lm	References
40W 230V AC 120°	40	220 - 240V AC	120°	A+	30 000 h+	Ø400 - 120	4 000	4200	D400 Recessed
							6 500	4400	D400 Recessed
40W 230V AC 120°	40	220 - 240V AC	120°	A+	30 000 h+	Ø400 - 120	4 000	4200	D400 Suspended
							6 500	4400	D400 Suspended
56W 230V AC 120°	56	220 - 240V AC	120°	A+	30 000 h+	Ø600 - 120	4 000	5880	D600 Recessed
							6 500	6160	D600 Recessed
56W 230V AC 120°	56	220 - 240V AC	120°	A+	30 000 h+	Ø600 - 120	4 000	5880	D600 Suspended
							6 500	6160	D600 Suspended



## CEILING LAMP 40W - 230V AC



Ceiling Lights



### CHARACTERISTICS:

Power	Voltage	Luminous Flux	Beam Angle
40 W	220 - 240V	4 400 Lumens	120°

Energetic Class	Lifespan	Dimensions
A+	30 000 h+	Ø 400 mm x 120 mm

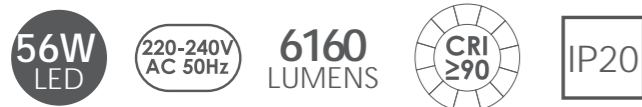
### TO ORDER:

References	Bar code	Colours temperatures
D400 Recessed	6193102800884	Neutral white 4 000k
D400 Recessed	6193102800891	Cold white 6 500k
D400 Suspended	6193102800969	Neutral white 4 000k
D400 Suspended	6193102800976	Cold white 6 500k

Series  
LED SMD



# CEILING LAMP 56W - 230V AC



### CHARACTERISTICS:

Power	Voltage	Luminous Flux	Beam Angle
56 W	220 - 240V	6 160 Lumens	120°
Energetic Class	Lifespan	Dimensions	
A+	30 000 h+	Ø 600 mm x 120 mm	

### TO ORDER:

References	Bar code	Colours temperatures
D600 Recessed	6193102800907	Neutral white 4 000k
D600 Recessed	6193102800914	Cold white 6 500k
D600 Suspended	6193102800983	Neutral white 4 000k
D600 Suspended	6193102800990	Cold white 6 500k

Series  
**LED SMD**



Ceiling Lights



# FLAT PANEL



The LED panel is intended to replace all **diffuse square lighting systems** providing a **large lighting surface**.

Thanks to its **technology**, it **minimizes the energy consumption** while **guaranteeing the number of lux required** respecting the relevant standards.

## | APPLICATIONS

- Reception area
- Shops and offices
- Hospitals and clinics

## | BENEFITS :

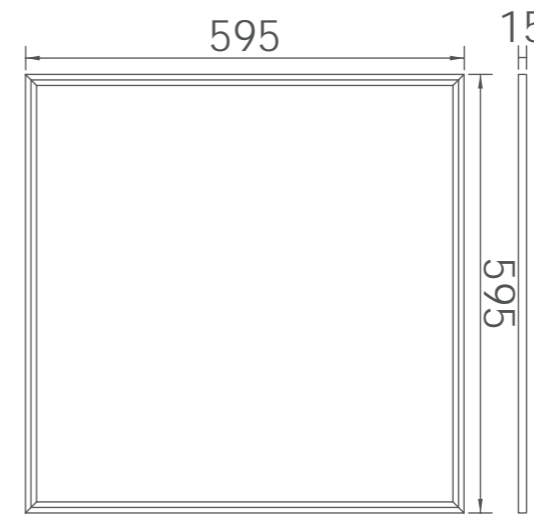
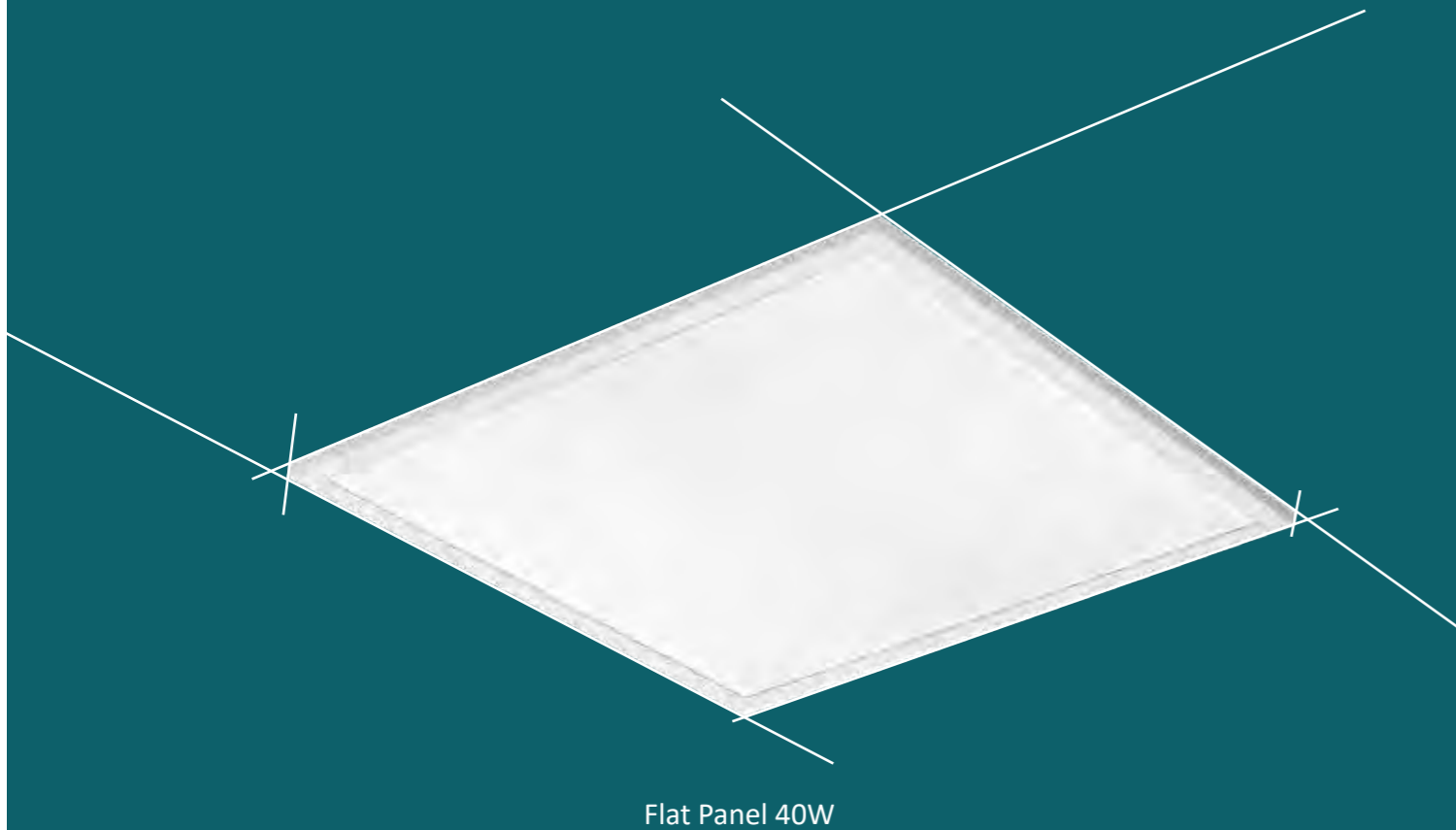
- Lighting surface combining performance and intelligent design
- Recreate the natural rhythm of daylight
- Uniform light
- Reduced costs and time installation
- Lifespan: 50 000H+



# FLAT PANEL



## FLAT PANEL 40W - 230V AC



### CHARACTERISTICS:

Power	Voltage	Luminous Flux	Beam Angle
40 W	90-265V AC	4 500 Lumens	120°
Energetic Class	Lifespan	Dimensions	
A+	50 000 h+	595 mm x 595 mm x 15 mm	

### TO ORDER:

References	Bar code	Colours temperatures
D040D0J1	6193102803199	Warm white 3 000k
D040D0N1	6193102800921	Neutral white 4 000k
D040D0B1	6193102800938	Cold white 6 500k

Series  
LED SMD

Surface mounting, suspended and recessed kits sold in option.  
Dimming: Dimmable Driver 0/1 to 10 optional.

									References
40W 230V AC 120° PF>0.9	40	90 - 265V AC	120°	A+	50 000 h+	595 - 595 - 15	3 000	4 500	D040D0J1
							4 000	4 500	D040D0N1
							6 500	4 500	D040D0B1

# TRACK LIGHT



The Track Light is an effective form of ambient lighting. It allows to direct the light of any shape and any room or exhibition space.

This lighting can attract buyers with high quality light that accentuates the intense whites and rich colours. This range offers immediate energy savings, long life and excellent value for money.

## | APPLICATIONS:

- Shops and showrooms
- Supermarkets
- Offices

## | BENEFITS:

- Good energy performance
- Adjustable light to fit the decor
- Lifespan: 50 000 H+





# TRACK LIGHT



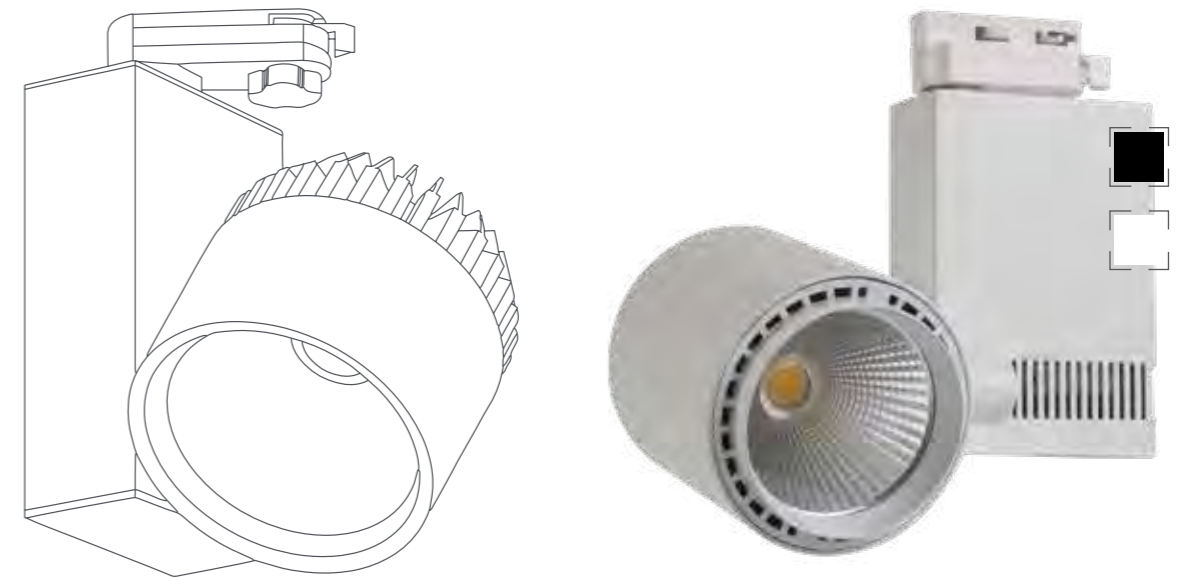
Track Light 22W 25°/45°  
Track Light 37W 25°/45°

Linear Lighting 40W

	W							References	
22W 230V AC 25°- 45° PF>0.9	22	220 - 240V AC	25°	A+	30 000 h+	240- 180 - 100	4000	2 100	D022D9N3/4
			45°						D022D9N3/4
37W 230V AC 25°- 45° PF>0.9	37	220 - 240V AC	25°	A+	30 000 h+	240- 180 - 100	4000	3 300	D037D9N5/6
			45°						D037D9N5/6
40W 230V AC 110° PF>0.9	40	220 - 240V AC	120°	A+	50 000 h+	1 500	3000	6 000	D040D9J1
							4 000	6 000	D040D9N1



## TRACK LIGHT 22W - 230V AC



### CHARACTERISTICS:

Power	Voltage	Luminous Flux	Beam Angle
22 W	220 - 240V	2 100 Lumens	25° - 45°
Energetic Class	Lifespan	Dimensions	
A+	30 000 h+	240 mm x 180 mm x 100 mm	

### TO ORDER:

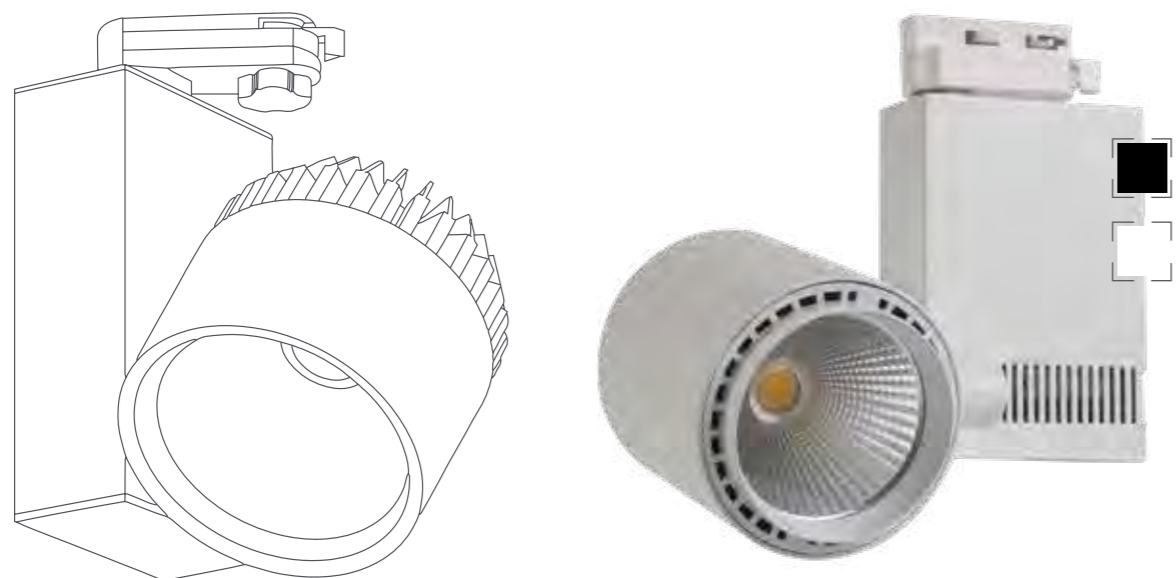
References	Bar code	Colours temperatures
D022D9N1-W25	6193102801638	Neutral white 4 000k
D022D9N1-B25	6193102801645	Neutral white 4 000k
D022D9N1-W45	6193102801652	Neutral white 4 000k
D022D9N1-B45	6193102801669	Neutral white 4 000k

Track Lights are available in white and black housing  
Rails and mounting accessories are available in White, Grey and Black.

Series  
LED COB



## TRACK LIGHT 37W - 230V AC



### CHARACTERISTICS:

Power	Voltage	Luminous Flux	Beam Angle
37 W	220 - 240V	3 300 Lumens	25° - 45°
Energetic Class	Lifespan	Dimensions	
A+	30 000 h+	240 mm x 180 mm x 100 mm	

### TO ORDER:

References	Bar code	Colours temperatures
D037D9N1-W25	6193102801676	Neutral white 4 000k
D037D9N1-B25	6193102801683	Neutral white 4 000k
D037D9N1-W45	6193102801690	Neutral white 4 000k
D037D9N1-B45	6193102801706	Neutral white 4 000k

Track Lights are available in white and black housing  
Rails and mounting accessories are available in White, Grey and Black.



## LED LINEAR 40W - 230V AC



### CHARACTERISTICS:

Power	Voltage	Luminous Flux	Beam Angle
40 W	220 - 240V	6 000 Lumens	120°
Energetic Class	Lifespan	Dimensions	
A+	50 000 h+	1500 mm	

### TO ORDER:

References	Bar code	Colours temperatures
D040D9J1	6193102801300	Warm White 3 000K
D040D9N2	6193102801317	Neutral White 4 000K

LED linear are available in 1.5m sections but can be adapted on request to the following dimensions: 0.75m, 2.25m & 3.0m.

Series  
LED COB

Series  
LED SMD

Track Light

Track Light



# INDUSTRIAL LIGHTING

The LED lighting is ideal for illuminating **workshops** and **industrial premises**.

Made from solid materials, our waterproof LED lighting solutions (IP65) withstand very strong vibrations, do not flash or break, unlike glass lamps.

## | APPLICATIONS:

- Warehouses & Logistics
- Maintenance workshops
- Showrooms
- Public places
- Sports halls and swimming pools

## | BENEFITS:

- Adaptable to all applications: warehouses, food industries, swimming pools, gymnasts
- Uneven efficiency without neglecting the comfort of use
- Reduced lighting costs
- Lifespan: 50 000 H+





# INDUSTRIAL LIGHTING



100W 230V



150W 230V



200W 230V

	W						K	Lm	References
100W 230V AC 80° PF>0.9	100	100-260V AC	80°	A+	50 000 h+	∅ 570 - 322	6 500	11500	H100D0B1
150W 230V AC 45° PF>0.9	150	100-260V AC	45°	A+	50 000 h+	∅ 640 - 470	6 500	15000	H150D0B1
200W 230V AC 45° PF>0.9	200	100-260V AC	45°	A+	50 000 h+	∅ 640 - 470	6 500	20000	H200D0B1



## HIGH BAY 100W - 230V AC



**11500 LUMENS**

### CHARACTERISTICS:

Power	Voltage	Luminous Flux	Beam Angle
100 W	100 - 260V	11 500 Lumens	80°
Energetic Class	Lifespan	Dimensions	
A+	50 000 h+	∅ 570 mm x 322 mm	

### TO ORDER:

References	Bar code	Colours temperatures
H100D0B1	6193102801171	Cold white 6 500k

Series  
**LED SMD**

## HIGH BAY 150W - 230V AC



### CHARACTERISTICS:

Power	Voltage	Luminous Flux	Beam Angle
150 W	100 - 260V	15 000 Lumens	45°
Energetic Class	Lifespan	Dimensions	
A+	50 000 h+	Ø 640 mm x 470 mm	

### TO ORDER:

References	Bar code	Colours temperatures
H150D0B1	6193102803144	Cold white 6 500k

Series  
LED SMD

## HIGH BAY 200W - 230V AC



### CHARACTERISTICS:

Power	Voltage	Luminous Flux	Beam Angle
200 W	100 - 260V	20 000 Lumens	45°
Energetic Class	Lifespan	Dimensions	
A+	50 000 h+	Ø 640 mm x 470 mm	

### TO ORDER:

References	Bar code	Colours temperatures
H200D0B1	6193102801188	Cold white 6 500k

Series  
LED SMD



# FLOOD LIGHTS



**The LED floodlights provide optimal illumination** by producing a light that is both powerful and standardized.

**This lighting solution** can be oriented **in the targeted area thanks to its directional** flow to allow a reduction of dark spaces.

**Besides reducing the loss of lighting, it allows, among other benefits, to optimize** the use of the light emitted for a high light output with a better quality of light.

**Extremely practical,** they agree on the facades and in the smallest places to illuminate the aisle or building.

## | APPLICATIONS:

- General lighting
- Lighting of squares & access roads
- Buildings Lighting
- Industrial lighting
- Security lighting

## | BENEFITS:

- Quick ROI
- Significant energy savings (up to 80% compared to conventional luminaires)
- reduce maintenance costs
- Lifespan: 50,000 H +
- Several installation possibilities (wall or matte)
- Homogeneous design in three different sizes





# FLOOD LIGHTS



13W 230V



50W 230V

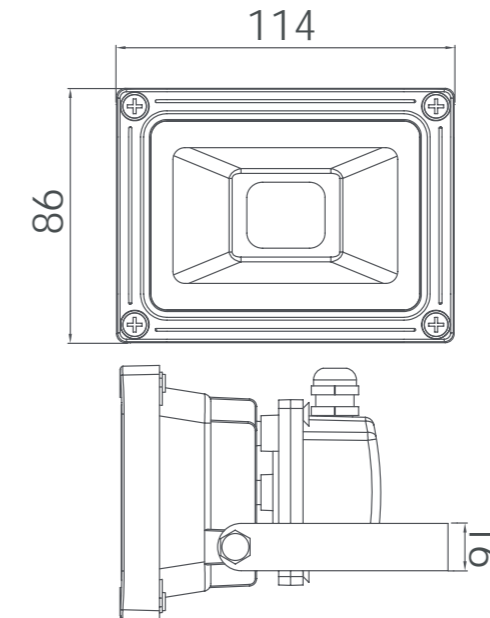


100W 230V

	W						K		Références
13W 230V AC 70° PF>0.9	13	100 - 260V AC	70°	A+	50 000 h+	114 86 - 87	6 500	1 300	F013D0B3
50W 230V AC 70° PF>0.9	50	100 - 260V AC	70°	A+	50 000 h+	226 186 - 125	6 500	5 000	F050D0B3
100W 230V AC 70° PF>0.9	100	100 - 260V AC	70°	A+	50 000 h+	288 238 - 155	6 500	10 000	F100D0B3



## FLOOD LIGHT 13W - 230V AC



### CHARACTERISTICS:

Power	Voltage	Luminous Flux	Beam Angle
13 W	100 - 260V	1 300 Lumens	70°
Energetic Class	Lifespan	Dimensions	
A+	50 000 h+	114 mm x 86 mm x 87 mm	

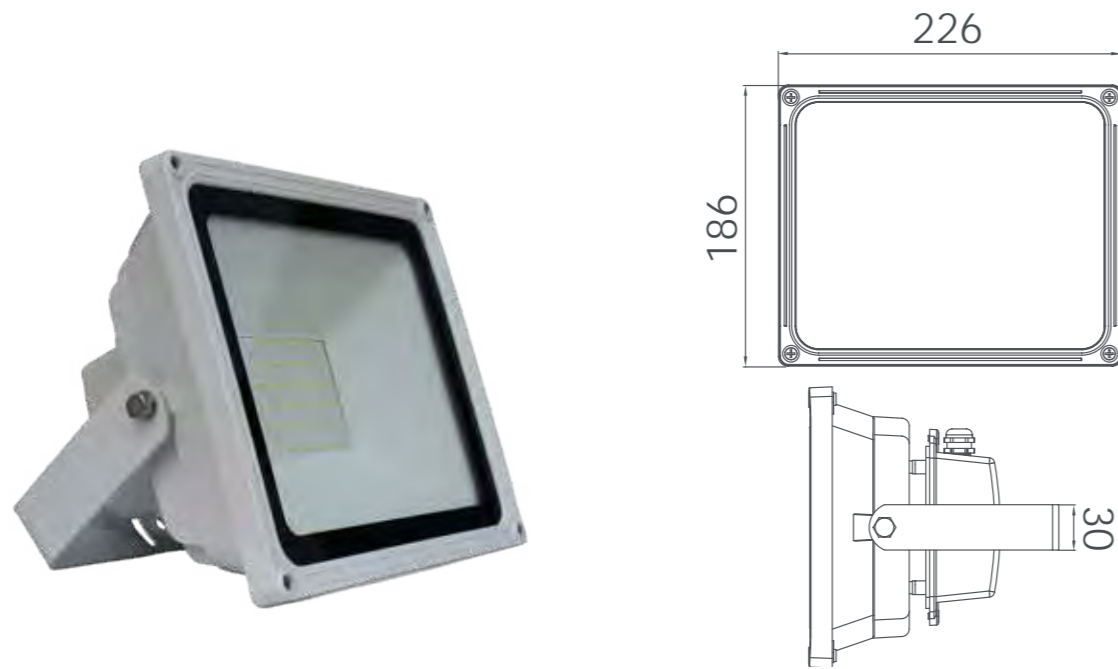
### TO ORDER:

References	Bar code	Colours temperatures
F013D0B3	6193102801713	Cold white 6 500k

Series  
LED SMD



# FLOOD LIGHT 50W - 230V AC



50W LED
100-260V AC 50Hz
5000 LUMENS
CRI ≥80
IP65
PF >0,9

## CHARACTERISTICS:

Power	Voltage	Luminous Flux	Beam Angle
50 W	100 - 260V	5 000 Lumens	70°
Energetic Class	Lifespan	Dimensions	
A+	50 000 h+	226 mm x 186 mm x 125 mm	

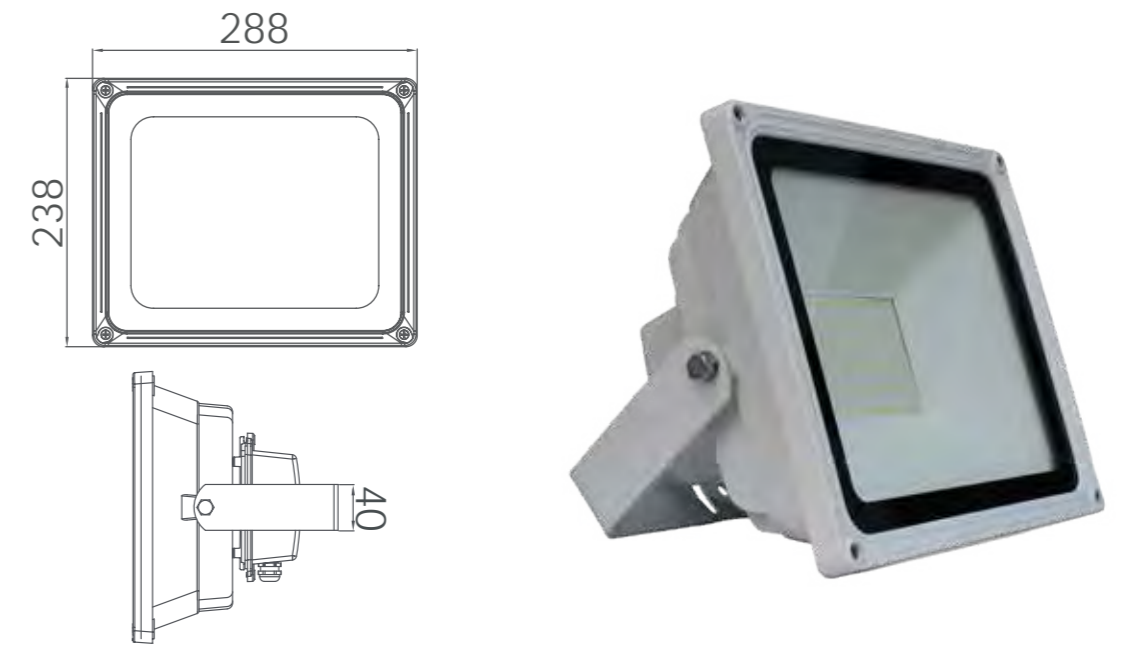
## TO ORDER:

References	Bar code	Colours temperatures
F050D0B3	6193102801720	Cold white 6 500k

Series LED SMD



# FLOOD LIGHT 100W - 230V AC



100W LED
100-260V AC 50Hz
10000 LUMENS
CRI ≥80
IP65
PF >0,9

## CHARACTERISTICS:

Power	Voltage	Luminous Flux	Beam Angle
100 W	100 - 260V	10 000 Lumens	70°
Energetic Class	Lifespan	Dimensions	
A+	50 000 h+	288 mm x 238 mm x 155 mm	

## TO ORDER:

References	Bar code	Colours temperatures
F100D0B3	6193102801737	Cold white 6 500k

Series LED SMD



# STREET LIGHTS



The optimization of street lighting is a major attractive issue, safety but also economy for communities, professionals and individuals.

Candyled meets these needs by offering a solution to **reduce costs** and the **impact on our environment**.

It is the ideal solution for **street lighting** of high traffic roads, streets and residential roads.

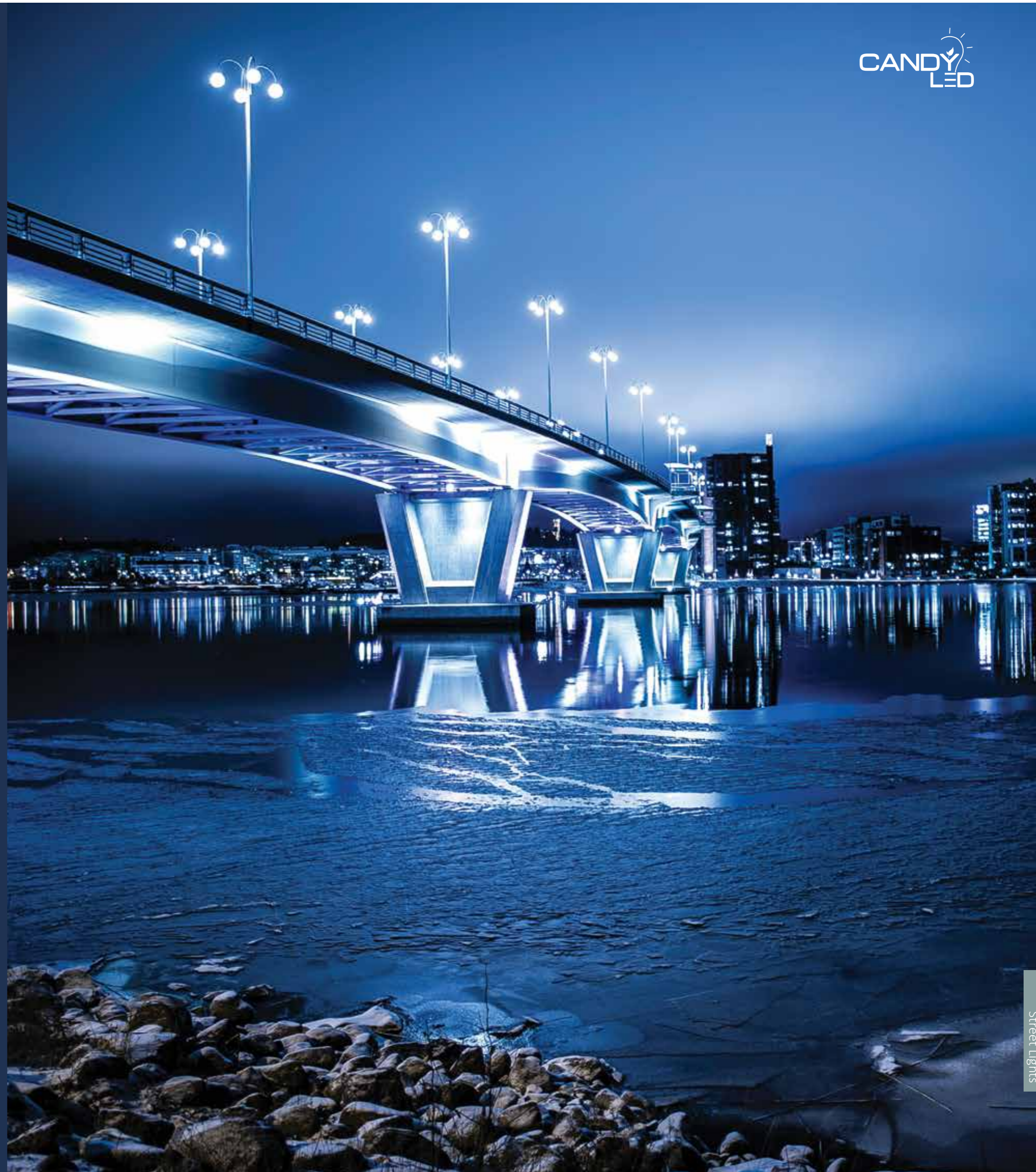
This range has an excellent **energy efficiency**, **requires no maintenance** and benefits a **5 year warranty**.

## | APPLICATIONS:

- Street Lights
- Highways
- Main roads and expressways
- Roads and Residential streets

## | BENEFITS:

- Luminous efficacy: superior to 150 lumens/W
- Lens fitted: Road Optics
- Ingress Protection: IP66
- Mechanical Impact Protection: IK10
- Surge protection: 10Kv
- Lifespan: 100 000 H+
- Warranty : 5 years
- Easy installation





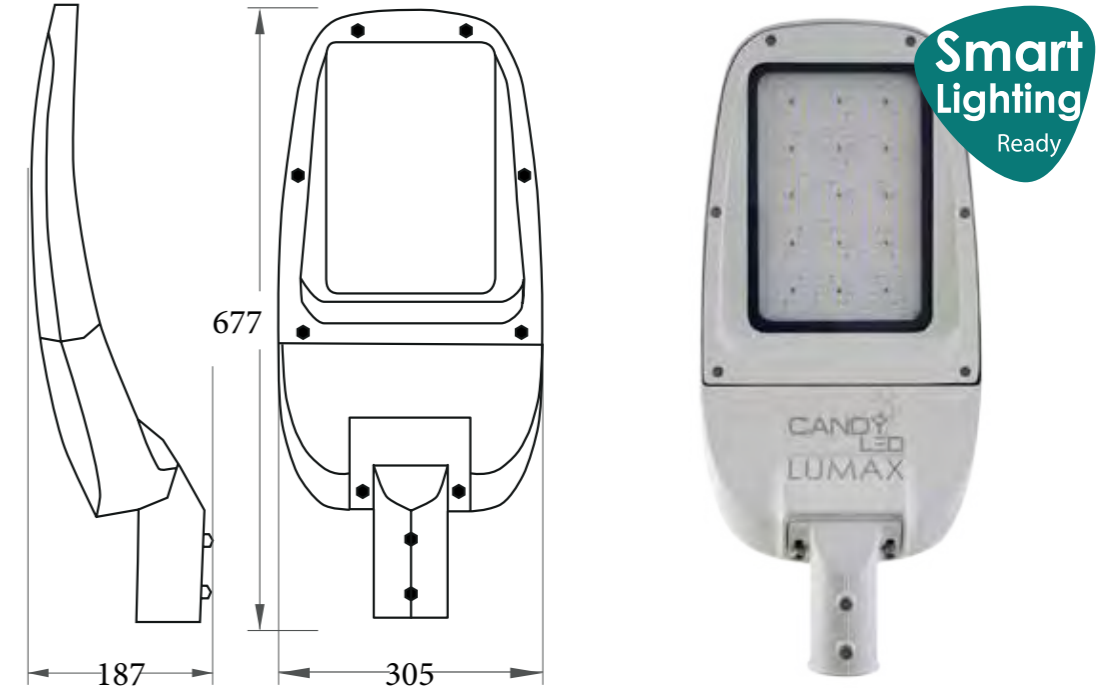
# STREET LIGHTS



80W 230V    100W 230V    120W 230V    150W 230V    200W 230V    40W 230V

	W						K		References
Lumax 80W 230V AC	80	100 - 265V AC	Lenses	A <sup>+</sup>	100 000 h+	677-305-187	6 500	12 000	E080D0B2
Lumax 100W 230V AC	100	100 - 265V AC	Lenses	A <sup>+</sup>	100 000 h+	677-305-187	6 500	15 500	E100D0B2
Lumax 120W 230V AC	120	100 - 265V AC	Lenses	A <sup>+</sup>	100 000 h+	677-305-187	6 500	18 800	E120D0B2
Lumax 150W 230V AC	150	100 - 265V AC	Lenses	A <sup>+</sup>	100 000 h+	677-305-187	6 500	21 800	E150D0B2
Lumax 200W 230V AC	150	100 - 265V AC	Lenses	A <sup>+</sup>	100 000 h+	677-305-187	6 500	29 000	E200D0B2
Citylight 40W 230V AC	40	100 - 265V AC	Lenses	A <sup>+</sup>	100 000 h+	500-500-450	6 500	5 600	E040D0B5

## LUMAX 80W - 230V AC



### CHARACTERISTICS:

Power	Voltage	Luminous Flux	Beam Angle
80 W	100 - 265V	12 000 Lumens	Lenses
Energetic Class	Lifespan	Dimensions	
A <sup>+</sup>	100 000 h+	677 mm x 305 mm x 187 mm	

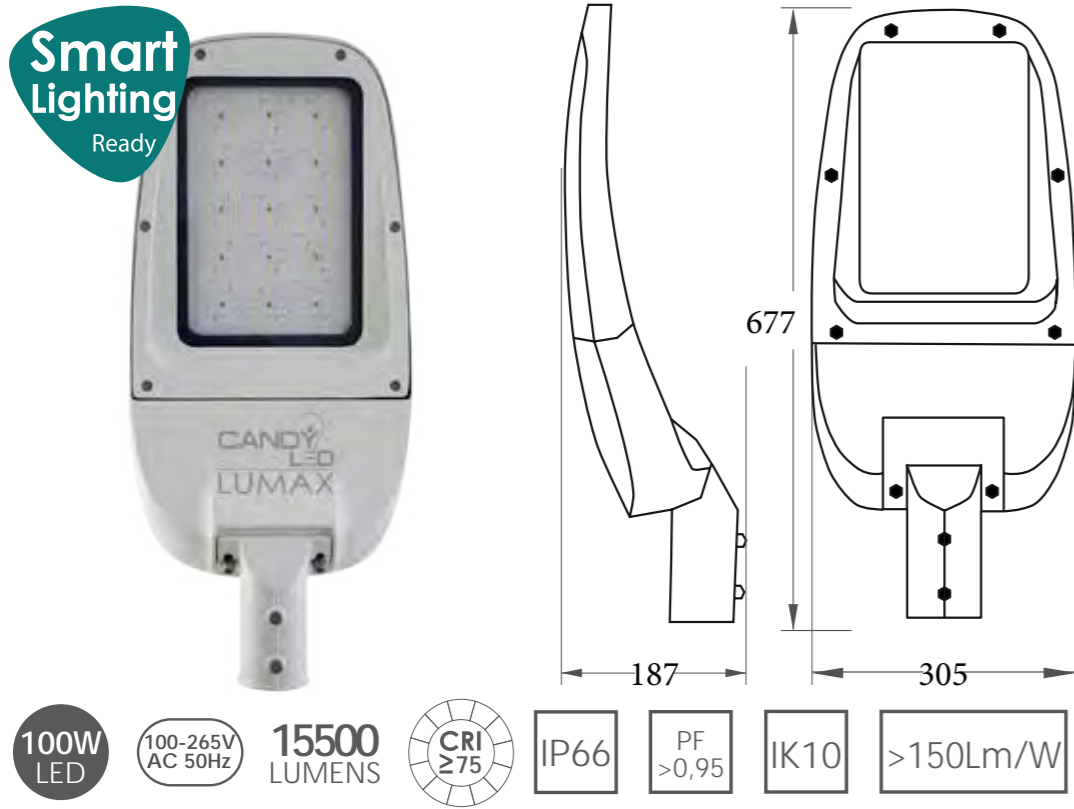
### TO ORDER:

References	Bar code	Colours temperatures
E080D0B2	6193102802895	Cold white 6 500k

Series LED SMD

Dimming : Dimmable Driver 0/1 to 10 optionnal

LUMAX 100W - 230V AC



100W LED
100-265V AC 50Hz
15500 LUMENS
CRI ≥75
IP66
PF >0,95
IK10
>150Lm/W

CHARACTERISTICS:

Power	Voltage	Luminous Flux	Beam Angle
100 W	100 - 265V	15 500 Lumens	Lenses
Energetic Class	Lifespan	Dimensions	
A+	100 000 h+	677 mm x 305 mm x 187 mm	

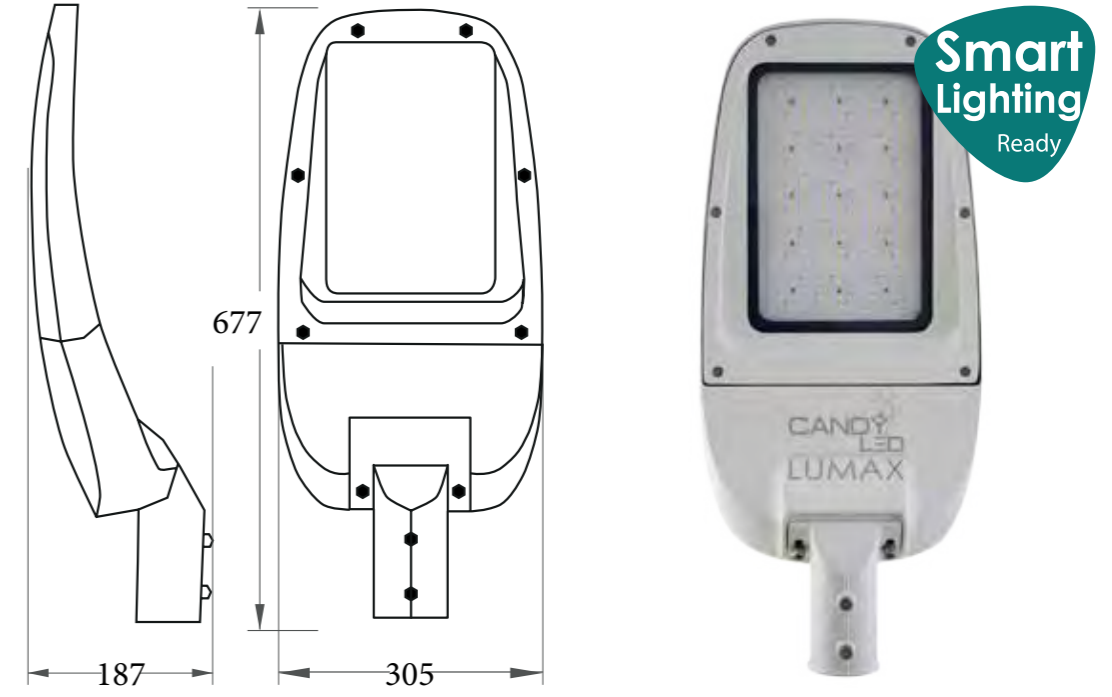
TO ORDER:

References	Bar code	Colours temperatures
E100D0B2	6193102802901	Cold white 6 500k

Dimming : Dimmable Driver 0/1 to 10 optionnal

Series LED SMD

LUMAX 120W - 230V AC



120W LED
100-265V AC 50Hz
18800 LUMENS
CRI ≥75
IP66
PF >0,95
IK10
>150Lm/W

CHARACTERISTICS:

Power	Voltage	Luminous Flux	Beam Angle
120 W	100 - 265V	18 800 Lumens	Lenses
Energetic Class	Lifespan	Dimensions	
A+	100 000 h+	677 mm x 305 mm x 187 mm	

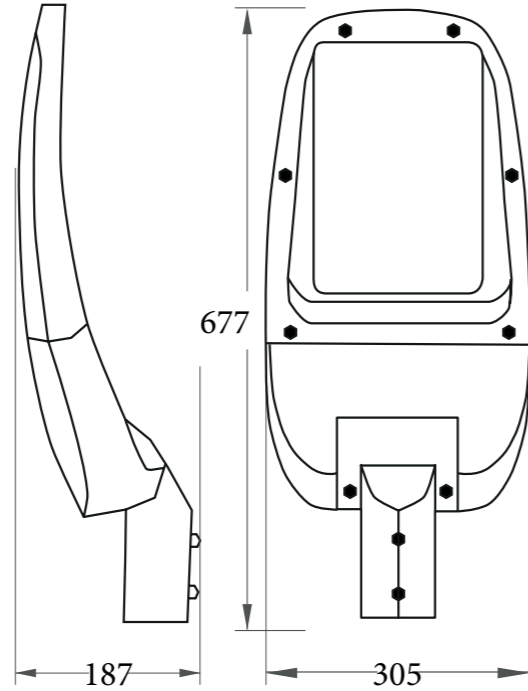
TO ORDER:

References	Bar code	Colours temperatures
E120D0B2	6193102802918	Cold white 6 500k

Dimming : Dimmable Driver 0/1 to 10 optionnal

Series LED SMD

# LUMAX 150W - 230V AC



150W LED
100-265V AC 50Hz
21800 LUMENS
CRI ≥75
IP66
PF >0,95
IK10
>145Lm/W

### CHARACTERISTICS:

Power	Voltage	Luminous Flux	Beam Angle
150 W	100 - 265V	21 800 Lumens	Lenses
Energetic Class	Lifespan	Dimensions	
A+	100 000 h+	677 mm x 305 mm x 187 mm	

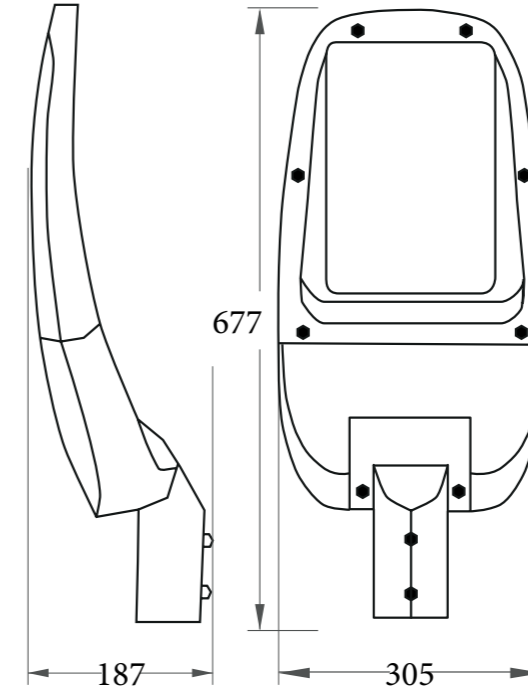
### TO ORDER:

References	Bar code	Colours temperatures
E150D0B2	6193102802925	Cold white 6 500k

Series LED SMD

Dimming : Dimmable Driver 0/1 to 10 optionnal

# LUMAX 200W - 230V AC



200W LED
100-265V AC 50Hz
29000 LUMENS
CRI ≥75
IP66
PF >0,95
IK10
>145Lm/W

### CHARACTERISTICS:

Power	Voltage	Luminous Flux	Beam Angle
200 W	100 - 265V	29 000 Lumens	Lenses
Energetic Class	Lifespan	Dimensions	
A+	100 000 h+	677 mm x 305 mm x 187 mm	

### TO ORDER:

References	Bar code	Colours temperatures
E200D0B2	6193102803694	Cold white 6 500k

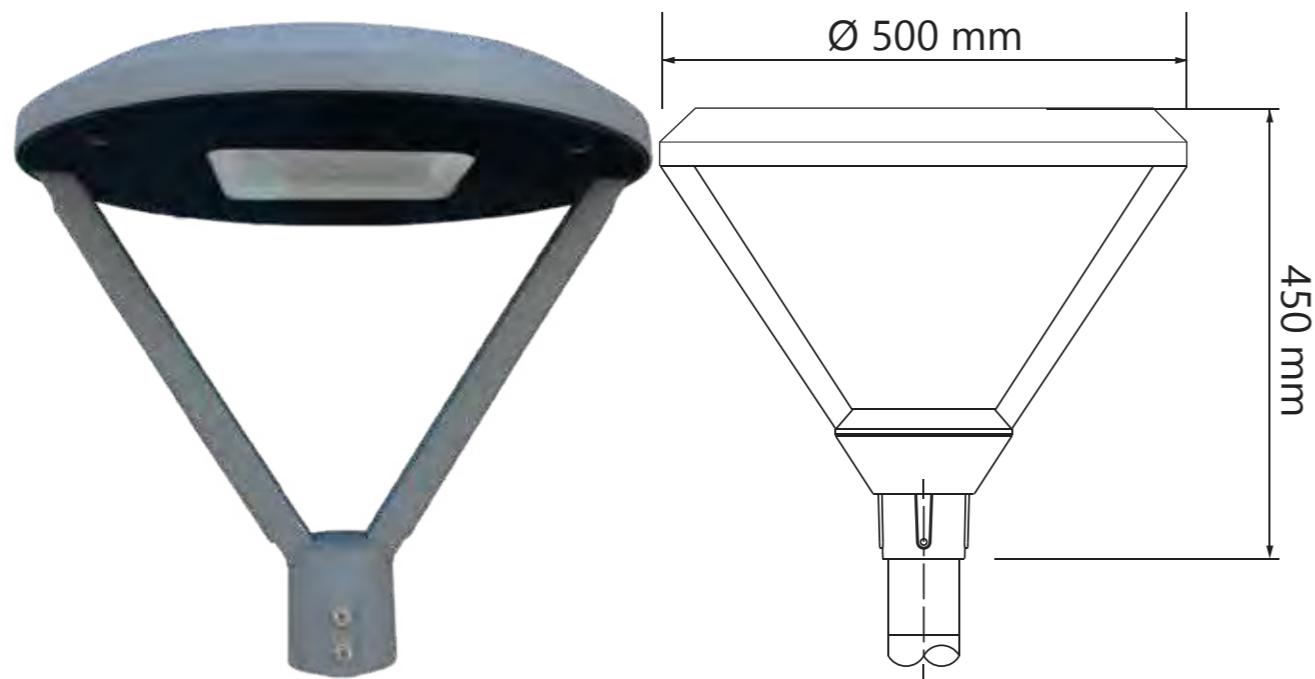
Series LED SMD

Dimming : Dimmable Driver 0/1 to 10 optionnal





# CITYLIGHT 40W - 230V AC



40W LED
100-265V AC 50Hz
5600 LUMENS
CRI ≥75
IP66
PF >0,95
IK10
>140Lm/W

## CHARACTERISTICS:

Power	Voltage	Luminous Flux	Beam Angle
40 W	100 - 265V	5 600 Lumens	Lenses
Energetic Class	Lifespan	Dimensions	
A+	100 000 h+	500 mm x 500 mm x 450 mm	

## TO ORDER:

References	Bar code	Colours temperatures
E040D0J5	6193102803670	Warm white 3 000k
E040D0N5	6193102803663	Neutral white 4 000k
E040D0B5	6193102803687	Cold white 6 500k

Series  
**LED SMD**

Dimming : Dimmable Driver 0/1 to 10 optional





# SMART STREET LIGHTS

Street Lighting is one of the main factors for the comfort and safety of residents. However, the vast majority of public lighting installations are obsolete and impact heavily on the energy costs of cities.

Equip itself with adequate infrastructures reduce energy consumption, provide a good lighting level and guarantee the safety of the residents.

Candyled proposes a smart solution which allows to modernize cities lighting infrastructure to make it more efficient and connected to the new management and communication services.

This intelligent lighting solution allows to realize important energy savings and adapt the luminosity according to the environment or situation. Indeed, LEDs provide a more aesthetic light than traditional bulbs for a longer life and consume less energy.

Thanks to the remote management, users can remotely control and switching on/off the lights as well as the lighting intensity. It also allows to plan preventive and curative maintenance interventions.

## | APPLICATIONS

- Street Lights
- Highways
- Main roads and expressways
- Roads and Residential streets

## | BENEFITS:

- Smart Control: Smart control & Management system
- LoRaWan Connectivity
- Luminous efficiency: superior to 145 lumens/W
- Lens fitted: Road Optics
- Ingress Protection: IP66
- Mechanical Impact Protection: IK10
- Surge protection: 10Kv
- Lifespan: 100 000 H+
- Warranty : 5 years
- Easy installation





# SMART STREET LIGHTS

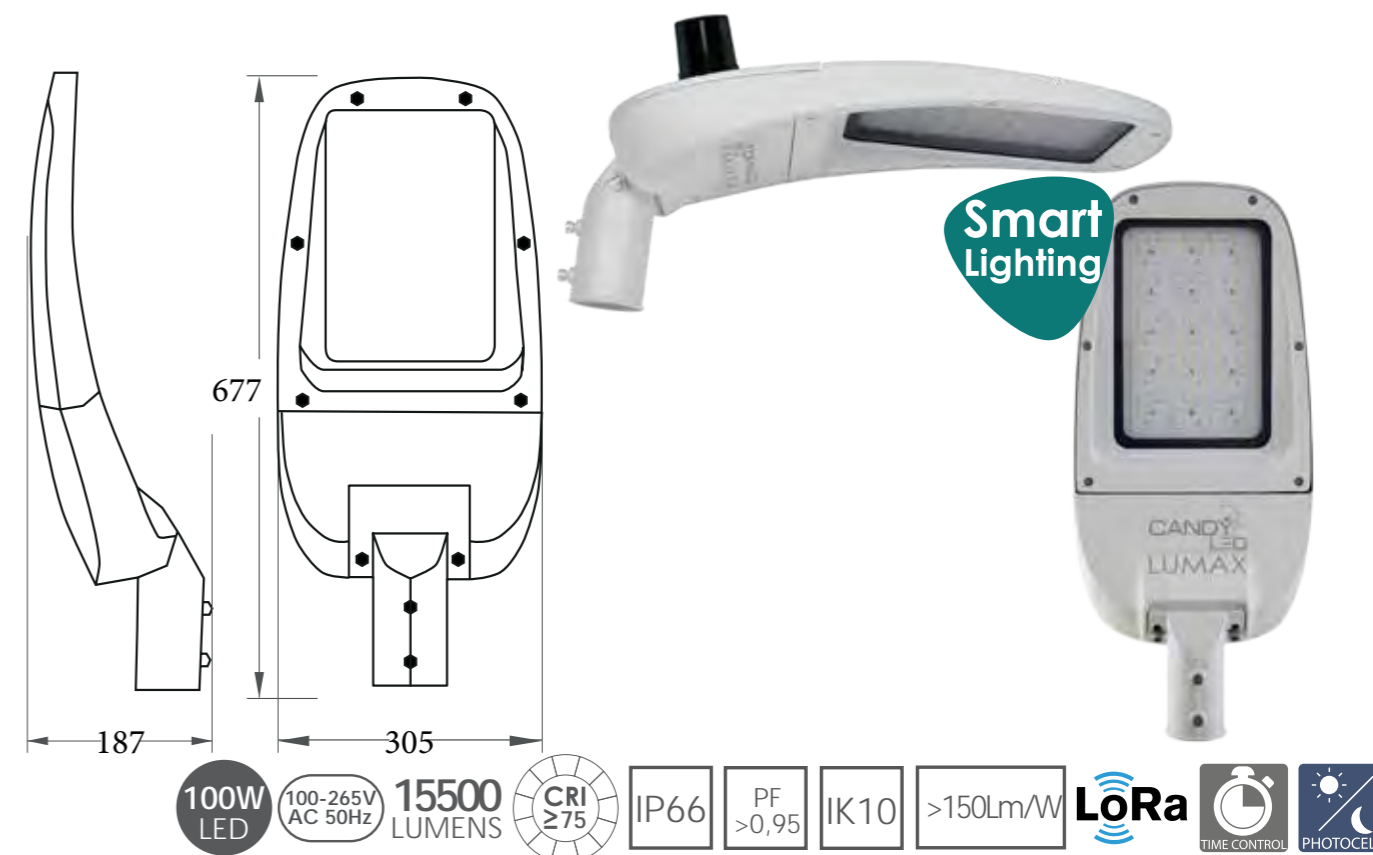


100W 230V

150W 230V

	W						K		References
Smart Lumax 100W	100	100 - 265V AC	Lenses	A+	100 000 h+	677-305-187	6 500	15 500	E100D0B3 E100D0N3
Smart Lumax 150W	150	100 - 265V AC	Lenses	A+	100 000 h+	677-305-187	6 500	21 800	E150D0B3 E150D0N3

## SMART LUMAX 100W - 230V AC



### CHARACTERISTICS:

Power	Voltage	Luminous Flux	Beam Angle
100 W	100 - 265V	15 500 Lumens	Lenses
Energetic Class	Lifespan	Dimensions	
A+	100 000 h+	677 mm x 305 mm x 187 mm	

### TO ORDER:

References	Bar code	Colours temperatures
E100D0B3	6193102803151	Cold white 6 500k
E100D0N3	6193102803168	Neutral white 4 000k

Series LED SMD

The LoRaWAN controller has been designed to allow Smart control of the Luminars. Collected data: On/Off / Dimming, Voltage, current, consumption & Power factor. Photocell included allowing controlled and lighting adjustment according to ambient light.



# SMART LUMAX 150W - 230V AC



150W LED
100-265V AC 50Hz
21800 LUMENS
CRI ≥75
IP66
PF >0,95
IK10
>145Lm/W
LoRa
TIME CONTROL
PHOTOCELL

## CHARACTERISTICS:

Power	Voltage	Luminous Flux	Beam Angle
150 W	100 - 265V	21 800 Lumens	Lenses
Energetic Class	Lifespan	Dimensions	
A+	100 000 h+	677 mm x 305 mm x 187 mm	

## TO ORDER:

References	Bar code	Colours temperatures
E150D0B3	6193102803175	Cold white 6 500k
E150D0N3	6193102803182	Neutral white 4 000k

Series LED SMD

The LoRaWAN controller has been designed to allow Smart control of the Luminars. Collected data: On/Off / Dimming, Voltage, current, consumption & Power factor. Photocell included allowing controlled and lighting adjustment according to ambient light.





CONTACT:  
 DISTRIBUTORS  
 distribution@candyled.com

Website: [www.candyled.com](http://www.candyled.com)

**OFFICES:**  
 Immeuble 3S, Rue Abou Hamed Ghazali, 1073 Montplaisir, Tunis, Tunisie

**SHOWROOM :**  
 Immeuble Nefissa, 31 rue des Entrepreneurs, 2035 Chargia2, Tunis, Tunisie

Tel: +216 71 120 210

**PRODUCTION UNIT:**  
 Zone Industrielle Zriba, 1182 Zaghuan, Tunisie

Email: [contact@candyled.com](mailto:contact@candyled.com)

©2024 CANDYLED

Tous droits réservés. La reproduction partielle ou totale est interdite sans l'accord écrit préalable du titulaire des droits d'auteur.  
 L'information présentée dans ce document est réputée être exacte et fiable et peut être changée sans notification.  
 Candyled est une marque déposée de Sky Industries.

# Certificate

Standard ISO 9001:2015  
 Certificate Registr. No. 01 100 2115631

Certificate Holder:  SKY INDUSTRIES  
 31 Rue des Entrepreneurs, Charguia 2  
 2035 Tunis  
 Tunisia

Scope: Design, manufacturing, sales and delivery of LED modules, power supplies and lighting fixtures based on LED technology

Validity: Proof has been furnished by means of an audit that the requirements of ISO 9001:2015 are met.  
 The certificate is valid from 2021-10-27 until 2024-10-26.  
 First certification 2021

2024-01-18

TÜV Rheinland Cert GmbH  
 Am Grauen Stein · 51105 Köln

[www.tuv.com](http://www.tuv.com)



© TÜV, TÜEV and TUV are registered trademarks. Utilisation and application requires prior approval.

**CANDY  
LED**  
*Brighten your life !*

**Candyled - Showroom**

Immeuble Nefissa

31, Rue des Entrepreneurs

2035 Charguia 2 Tunis

Tel: +216 71 120 210

Fax : +216 70 200 902

[contact@candyled.com](mailto:contact@candyled.com)

[www.candyled.com](http://www.candyled.com)

