



Smart Solutions for Street Lights

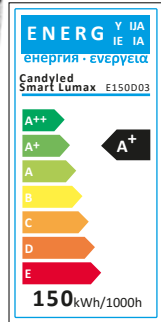
Public lighting optimization is a major challenge in terms of attractiveness, safety and savings for public authorities, professionals or individuals. CandyLED respond to these needs by offering a solution to reduce costs and the environmental impact. It is the ideal solution for public lighting of high traffic roads, streets and residential lanes. This range benefits an excellent energy efficiency, requires little maintenance and offer 5 year warranty.

Applications

- Street Lights
- Highways
- Main roads and expressways
- Roads and Residential streets

Benefits

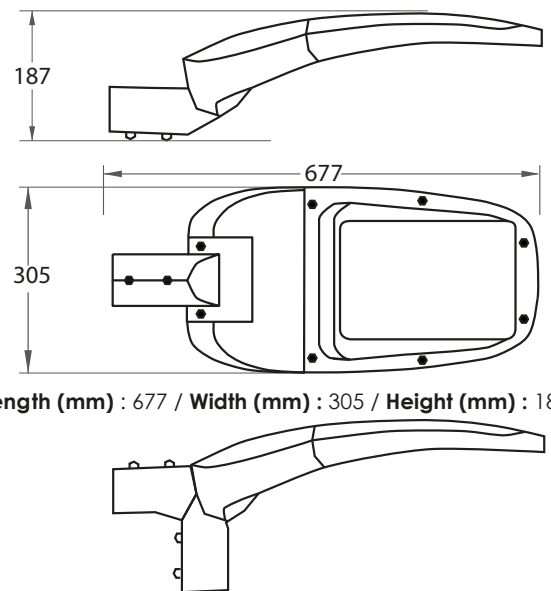
- Smart control: intelligent control and management system
- LoRaWAN connectivity
- Luminous efficacy: superior than 150 lumens/W
- Lens fitted: Road Optics
- Ingress Protection: IP66
- Mechanical Impact Protection: IK10
- Surge protection: 10Kv
- Lifespan: 100 000 H+
- Warranty : 5years
- Easy installation



Characteristics

Nominal Power	100-265V AC 50Hz
LED Technology	SMD
Power	150W
Control	Smart Lighting control
Dimmability	Dimmable Driver 0/1 to 10
Surge protection	10Kv
Luminous Flux	>145Lumens/W
Color Temperature	3 000k - 4 000k - 6 500K
Color Rendering Index	>=75
Mechanical Impact Protection	IK10
Ingress Protection	IP66
Lifespan	100 000H+
Protection Class CEI	Class II
Operating temperature	-40°C to +50°C

Dimensions (mm)



Length (mm) : 677 / Width (mm) : 305 / Height (mm) : 187

Inclination angle: From 0° to +90°

Materials

Body	Aluminium
Glasses	Thermally tempered glass
Sealing gasket	Anti-aging silicone seals
Screws and bolts	AISI 304 stainless steel

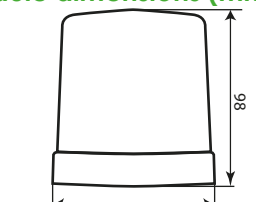
Installation

Installation on vertical cross	Range from Ø40mm to 65mm
--------------------------------	--------------------------

IOT module characteristics

Communication	LoRaWan
Fréquency	EU 863MHz~870MHz
Collected data	On/Off/Dimming, voltage, courant, Consommation & power factor
Integrated sensor	Photocell

IOT Module dimensions (mm)



Waterproof IP67 connector included

Address: Immeuble 3s, Rue Abou Hamed El Ghazeli, Montplaisir, Tunis Tunisie

contact@candyled.com

Tel: +216 71 120 210

Fax: + 216 70 200 902

@ www.candyled.com