



**CANDY
LED**
Brighten your life!

P R E S E N T A T I O N

Derived from the world of Information Technologies, networks and Internet, the Group 3S, leading its field, gets into the Cleantech industries in the realm of electronics and electroluminescence under the CandyLed brand.

This first investment in the world of Cleantech is part of the LED lighting sector, where technological breakthroughs in progress have already increased the efficiency of conventional lighting tenfold to reach today more than 160 lumens per watt.

At the crossroads of the Mediterranean, Candy Led manufactures, at its plant ideally located in the south of Tunis, the heart of LED lighting technology: the COB module (Chip On Board).

Backed by an in-house engineering department, Candyland has the ability to design, prototyping and mass-manufacturing any LED lighting fixture, whether under its own brand or in white label for manufacturers, integrators or distributors.

Our entry into the closed class of COB-LED modules manufacturers, aims firstly to participate in the international evolution of this new industry, then to further improve the performance of this technology and to move up the value chain of this sector, both in electronics and in semiconductor chemistry. In view of our pedigree IT, our contribution should impact the embedded intelligence promised by the Internet of Things (IoT).

Since technology is of no value and importance unless it offers the most widespread benefit possible, our ultimate objective is to democratize the use of LED lighting in the Mediterranean basin, the Middle East and Africa in order to make it accessible to everyone. As first factory in this field in Africa, the Middle East and the Arab world, we naturally aspire to be among the leading suppliers of LED lighting in this geographical area.



WHY CANDYLED?



The **LED (Lighting Emmiting Diode)** is an electronic component of the family of Optoelectronic components capable of emitting light when an electric current flows through it.

Appeared in 1962, the LED is **one of the most powerful, economic and durable light sources.**



Many now consider it as the most revolutionary invention in over hundred years. In fact, the applications integrating LEDs are almost infinite...

THE NUMEROUS BENEFITS OF CANDYLED LIGHTING SYSTEM

Our LED lighting solutions have significant strengths for saving energy, reducing costs of ownership and maintenance:

Compliance with standards	Warranty	Lifespan
Compliance with the highest quality and safety standards, including European standards	Up to 5 years warranty for street lights & professional lighting	Street Lights and professional lighting lifetime is 100 000H+
Colours rendering	Security	Energetic efficiency
Good colour rendering	Contains neither Mercury nor Lead. No Ultraviolet (UV) or Infrared emission	Up to 90% energy saving
Instant ignition	Luminous efficiency	Color temperature
100% instant lighting	Up to 160 Lumens per Watt	Wide range of color temperatures from warm white to cool white



STREET LIGHTS



The optimization of street lighting is a major attractive issue, safety but also economy for communities, professionals and individuals.

Candyled meets these needs by offering a solution to **reduce costs** and the **impact on our environment**.

It is the ideal solution for **street lighting** of high traffic roads, streets and residential roads.

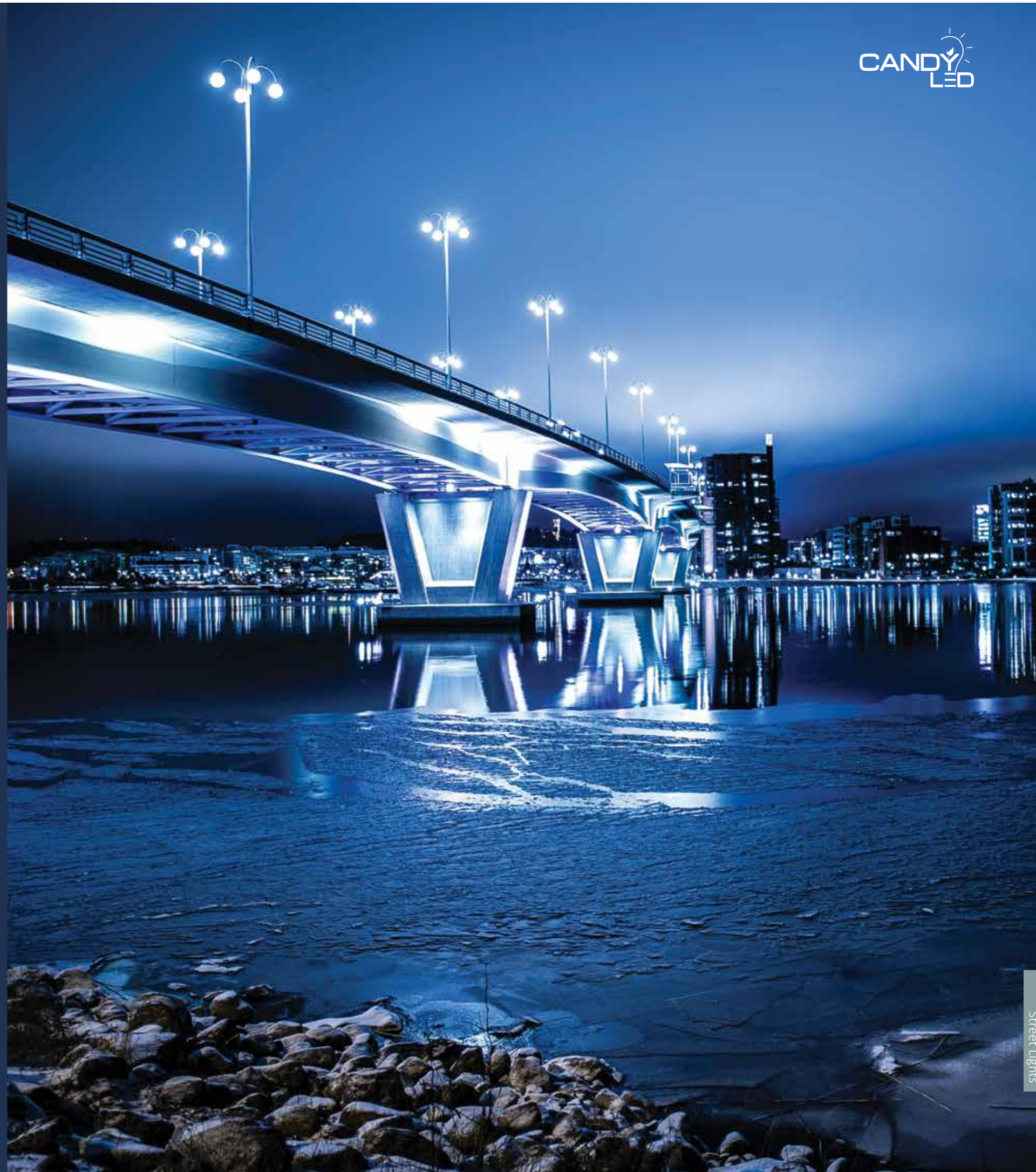
This range has an excellent **energy efficiency**, **requires no maintenance** and benefits a **5 year warranty**.

| APPLICATIONS:

- Street Lights
- Highways
- Main roads and expressways
- Roads and Residential streets

| BENEFITS:

- Luminous efficacy: superior to 150 lumens/W
- Lens fitted: Road Optics
- Ingress Protection: IP66
- Mechanical Impact Protection: IK10
- Surge protection: 10Kv
- Lifespan: 100 000 H+
- Warranty : 5 years
- Easy installation



STREET LIGHTS



80W 230V 100W 230V 120W 230V 150W 230V 200W 230V 40W 230V

	W						K		References
Lumax 80W 230V AC	80	100 - 265V AC	Lenses	A+	100 000 h+	677-305-187	6 500	12 000	E080D0B2
Lumax 100W 230V AC	100	100 - 265V AC	Lenses	A+	100 000 h+	677-305-187	6 500	15 500	E100D0B2
Lumax 120W 230V AC	120	100 - 265V AC	Lenses	A+	100 000 h+	677-305-187	6 500	18 800	E120D0B2
Lumax 150W 230V AC	150	100 - 265V AC	Lenses	A+	100 000 h+	677-305-187	6 500	21 800	E150D0B2
Lumax 200W 230V AC	150	100 - 265V AC	Lenses	A+	100 000 h+	677-305-187	6 500	29 000	E200D0B2
Citylight 40W 230V AC	40	100 - 265V AC	Lenses	A+	100 000 h+	500-500-450	6 500	5 600	E040D0B5

LUMAX 80W - 230V AC



CHARACTERISTICS:

Power	Voltage	Luminous Flux	Beam Angle
80 W	100 - 265V	12 000 Lumens	Lenses
Energetic Class	Lifespan	Dimensions	
A+	100 000 h+	677 mm x 305 mm x 187 mm	

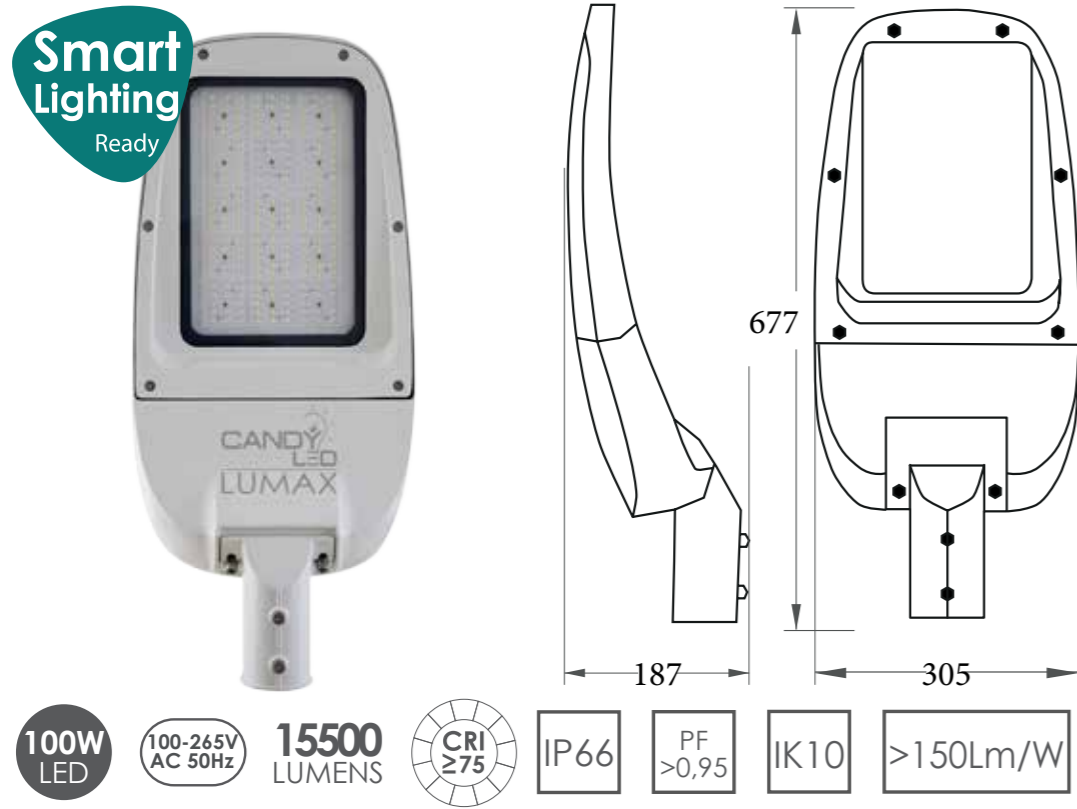
TO ORDER:

References	Bar code	Colours temperatures
E080D0B2	6193102802895	Cold white 6 500k

Series LED SMD

Dimming : Dimmable Driver 0/1 to 10 optionnal

LUMAX 100W - 230V AC



100W LED
100-265V AC 50Hz
15500 LUMENS
CRI ≥75
IP66
PF >0,95
IK10
>150Lm/W

CHARACTERISTICS:

Power	Voltage	Luminous Flux	Beam Angle
100 W	100 - 265V	15 500 Lumens	Lenses
Energetic Class	Lifespan	Dimensions	
A+	100 000 h+	677 mm x 305 mm x 187 mm	

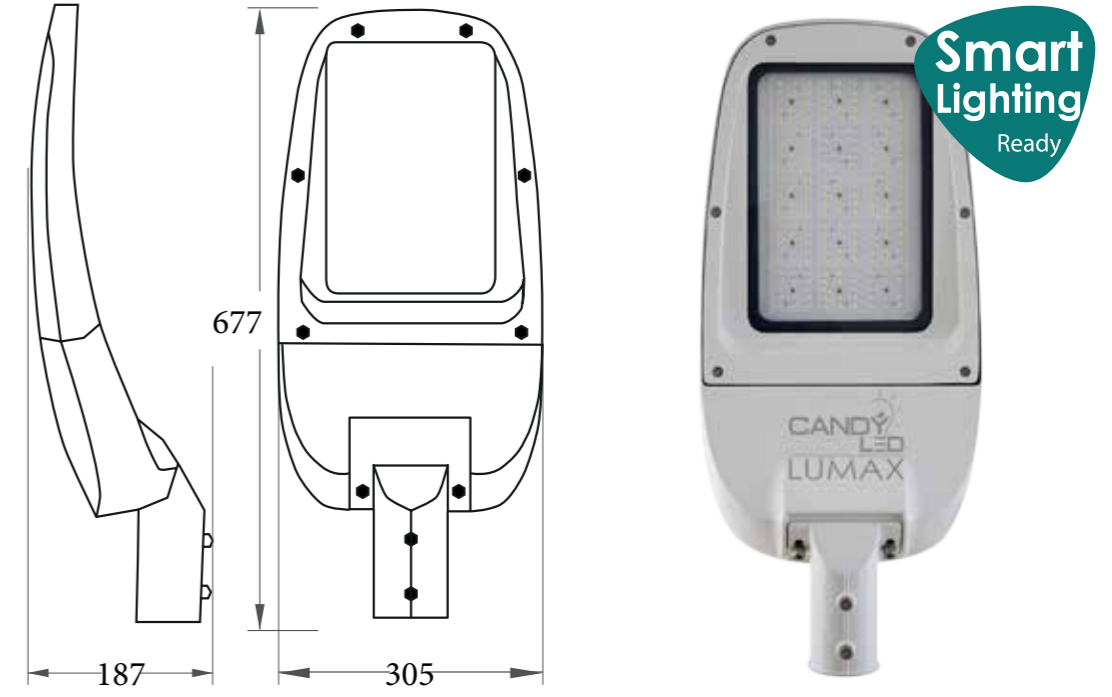
TO ORDER:

References	Bar code	Colours temperatures
E100D0B2	6193102802901	Cold white 6 500k

Dimming : Dimmable Driver 0/1 to 10 optionnal

Series LED SMD

LUMAX 120W - 230V AC



120W LED
100-265V AC 50Hz
18800 LUMENS
CRI ≥75
IP66
PF >0,95
IK10
>150Lm/W

CHARACTERISTICS:

Power	Voltage	Luminous Flux	Beam Angle
120 W	100 - 265V	18 800 Lumens	Lenses
Energetic Class	Lifespan	Dimensions	
A+	100 000 h+	677 mm x 305 mm x 187 mm	

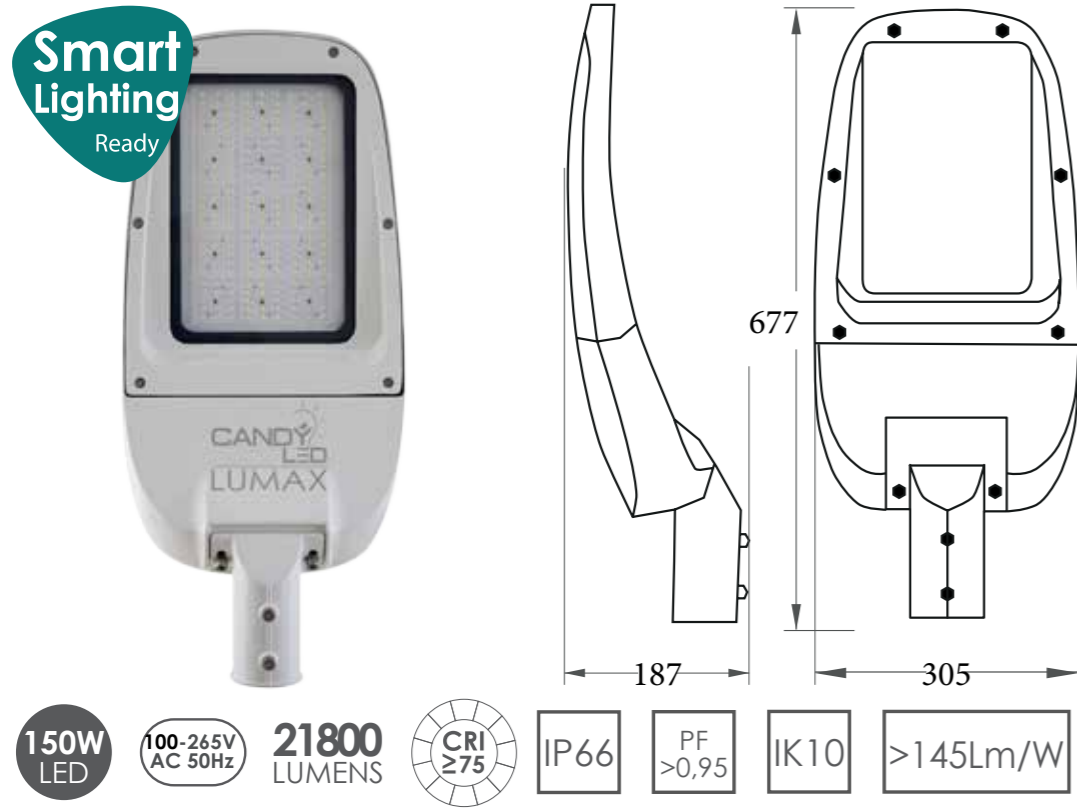
TO ORDER:

References	Bar code	Colours temperatures
E120D0B2	6193102802918	Cold white 6 500k

Dimming : Dimmable Driver 0/1 to 10 optionnal

Series LED SMD

LUMAX 150W - 230V AC



CHARACTERISTICS:

Power	Voltage	Luminous Flux	Beam Angle
150 W	100 - 265V	21 800 Lumens	Lenses
Energetic Class	Lifespan	Dimensions	
A+	100 000 h+	677 mm x 305 mm x 187 mm	

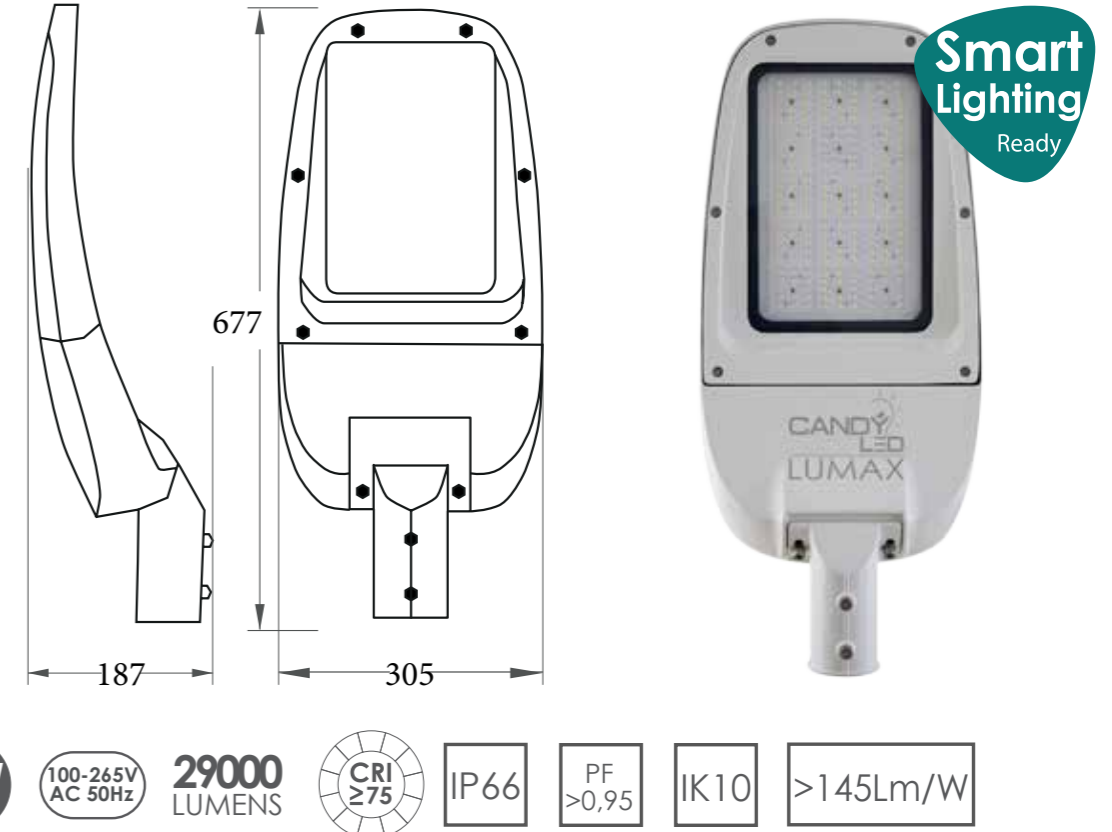
TO ORDER:

References	Bar code	Colours temperatures
E150D0B2	6193102802925	Cold white 6 500k

Dimming : Dimmable Driver 0/1 to 10 optional

Series LED SMD

LUMAX 200W - 230V AC



CHARACTERISTICS:

Power	Voltage	Luminous Flux	Beam Angle
200 W	100 - 265V	29 000 Lumens	Lenses
Energetic Class	Lifespan	Dimensions	
A+	100 000 h+	677 mm x 305 mm x 187 mm	

TO ORDER:

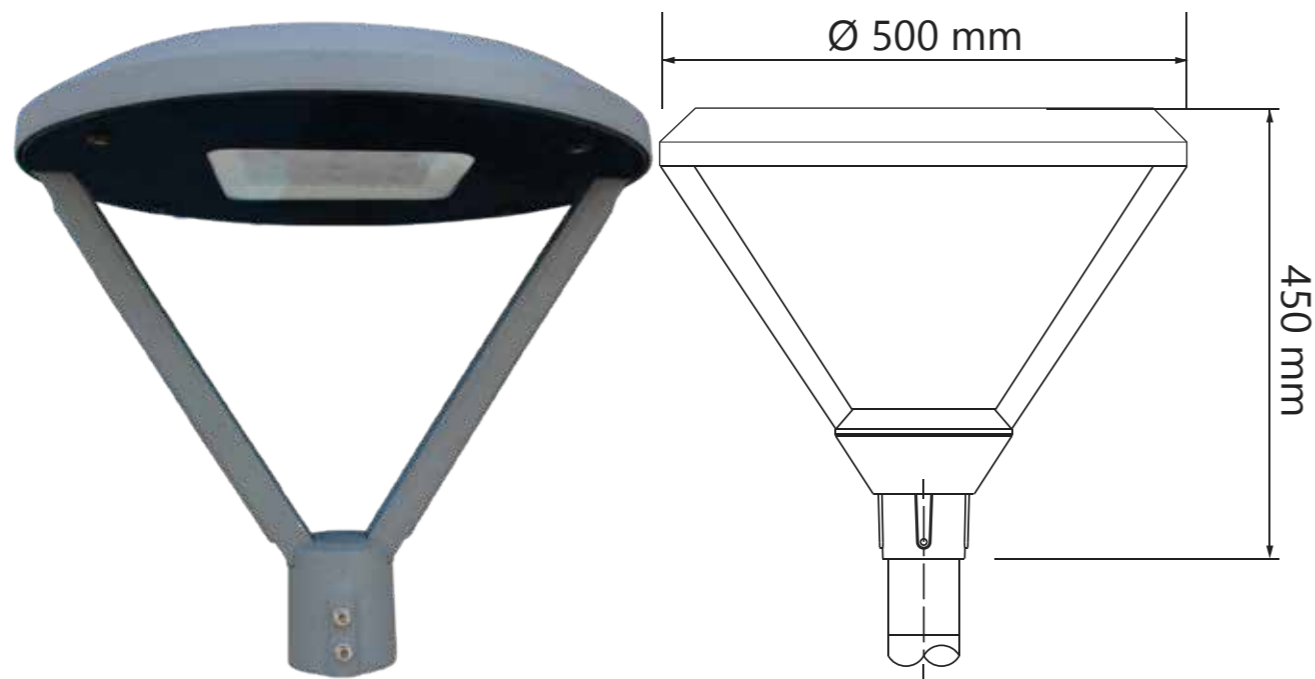
References	Bar code	Colours temperatures
E200D0B2	6193102803694	Cold white 6 500k

Dimming : Dimmable Driver 0/1 to 10 optional

Series LED SMD



CITYLIGHT 40W - 230V AC



40W LED
100-265V AC 50Hz
5600 LUMENS
CRI ≥75
IP66
PF >0,95
IK10
>140Lm/W

CHARACTERISTICS:

Power	Voltage	Luminous Flux	Beam Angle
40 W	100 - 265V	5 600 Lumens	Lenses
Energetic Class	Lifespan	Dimensions	
A+	100 000 h+	500 mm x 500 mm x 450 mm	

TO ORDER:

References	Bar code	Colours temperatures
E040D0J5	6193102803670	Warm white 3 000k
E040D0N5	6193102803663	Neutral white 4 000k
E040D0B5	6193102803687	Cold white 6 500k

Series LED SMD

Dimming : Dimmable Driver 0/1 to 10 optionnal



SMART STREET LIGHTS

Street Lighting is one of the main factors for the comfort and safety of residents. However, the vast majority of public lighting installations are obsolete and impact heavily on the energy costs of cities.

Equip itself with adequate infrastructures reduce energy consumption, provide a good lighting level and guarantee the safety of the residents.

Candyled proposes a smart solution which allows to modernize cities lighting infrastructure to make it more efficient and connected to the new management and communication services.

This intelligent lighting solution allows to realize important energy savings and adapt the luminosity according to the environment or situation. Indeed, LEDs provide a more aesthetic light than traditional bulbs for a longer life and consume less energy.

Thanks to the remote management, users can remotely control and switching on/off the lights as well as the lighting intensity. It also allows to plan preventive and curative maintenance interventions.

| APPLICATIONS

- Street Lights
- Highways
- Main roads and expressways
- Roads and Residential streets

| BENEFITS:

- Smart Control: Smart control & Management system
- LoRaWan Connectivity
- Luminous efficiency: superior to 145 lumens/W
- Lens fitted: Road Optics
- Ingress Protection: IP66
- Mechanical Impact Protection: IK10
- Surge protection: 10Kv
- Lifespan: 100 000 H+
- Warranty : 5 years
- Easy installation



SMART STREET LIGHTS

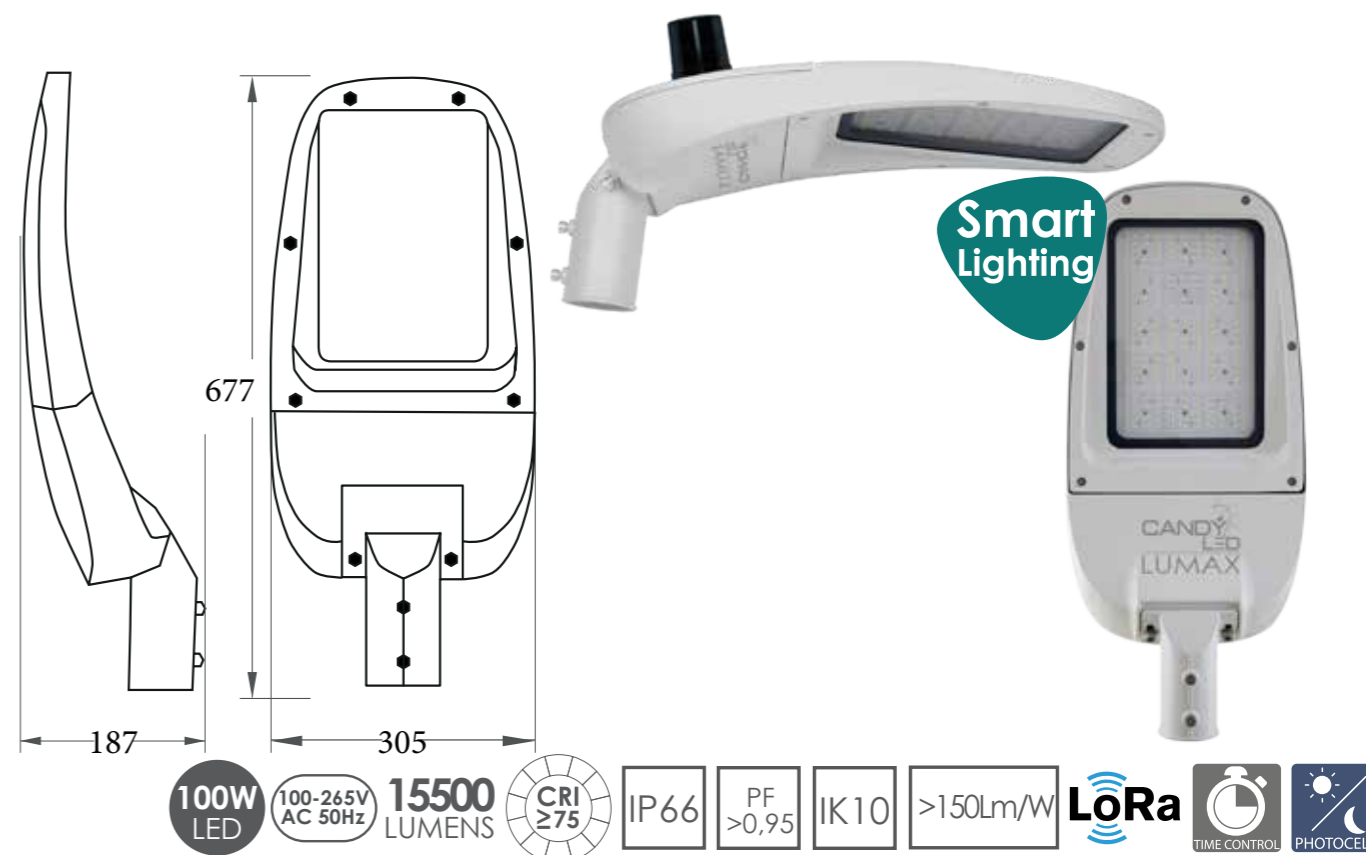


100W 230V

150W 230V

	W						K	Lm	References
Smart Lumax 100W	100	100 - 265V AC	Lenses	A+	100 000 h+	677-305-187	6 500	15 500	E100D0B3 E100D0N3
Smart Lumax 150W	150	100 - 265V AC	Lenses	A+	100 000 h+	677-305-187	6 500	21 800	E150D0B3 E150D0N3

SMART LUMAX 100W - 230V AC



CHARACTERISTICS:

Power	Voltage	Luminous Flux	Beam Angle
100 W	100 - 265V	15 500 Lumens	Lenses
Energetic Class	Lifespan	Dimensions	
A+	100 000 h+	677 mm x 305 mm x 187 mm	

TO ORDER:

References	Bar code	Colours temperatures
E100D0B3	6193102803151	Cold white 6 500k
E100D0N3	6193102803168	Neutral white 4 000k

Series LED SMD

The LoRaWAN controller has been designed to allow Smart control of the Luminars. Collected data: On/Off / Dimming, Voltage, current, consumption & Power factor. Photocell included allowing controlled and lighting adjustment according to ambient light.



SMART LUMAX 150W - 230V AC



150W LED **100-265V AC 50Hz** **21800 LUMENS** **CRI ≥75** **IP66** **PF >0,95** **IK10** **>145lm/W** **LoRa** **TIME CONTROL** **PHOTOCELL**

CHARACTERISTICS:

Power	Voltage	Luminous Flux	Beam Angle
150 W	100 - 265V	21 800 Lumens	Lenses
Energetic Class	Lifespan	Dimensions	
A+	100 000 h+	677 mm x 305 mm x 187 mm	

TO ORDER:

References	Bar code	Colours temperatures
E150D0B3	6193102803175	Cold white 6 500k
E150D0N3	6193102803182	Neutral white 4 000k

Series **LED SMD**

The LoRaWAN controller has been designed to allow Smart control of the Luminars.
 Collected data: On/Off / Dimming, Voltage, current, consumption & Power factor.
 Photocell included allowing controlled and lighting adjustment according to ambient light.





CONTACT:

DISTRIBUTORS

distribution@candyled.com

Website: www.candyled.com

OFFICES:

Immeuble 3S, Rue Abou Hamed Ghazali, 1073 Montplaisir, Tunis, Tunisie

SHOWROOM :

Immeuble Nefissa, 31 rue des Entrepreneurs, 2035 Chargia2, Tunis, Tunisie

Tel: +216 71 120 210

PRODUCTION SITE :

Zone Industrielle Zriba, 1182 Zaghuan, Tunisie

Email: contact@candyled.com

©2023 CANDYLED

Tous droits réservés. La reproduction partielle ou totale est interdite sans l'accord écrit préalable du titulaire des droits d'auteur.
L'information présentée dans ce document est réputée être exacte et fiable et peut être changée sans notification.
Candyled est une marque déposée de Sky Industries.

Certificat

Référentiel **ISO 9001:2015**

Enregistré sous le n° **01 100 2115631**

Titulaire du certificat:



SKY INDUSTRIES

31 Rue des Entrepreneurs, Charguia 2
2035 Tunis
Tunisie

Domaine d'activité:

Conception, fabrication, vente et livraison de modules de LED,
d'alimentations électriques et de luminaires à base de LED

Validité:

Par l'audit, la conformité aux exigences de la norme
ISO 9001:2015 a été démontrée.

Ce certificat est valable du 27.10.2021 jusqu'au 26.10.2024.
Certification initiale 2021

01.11.2021

TÜV Rheinland Cert GmbH
Am Grauen Stein · 51105 Köln

www.tuv.com



© TÜV, TÜV and TÜV are registered trademarks. Utilisation and application requires prior approval.

**CANDY
LED**
Brighten your life !

Candyled - Showroom

Immeuble Nefissa

31, Rue des Entrepreneurs

2035 Charguia 2 Tunis

Tel: +216 71 120 210

Fax : +216 70 200 902

contact@candyled.com

www.candyled.com

